

# Script Form

Wonderseat  
for Experts

# Wonderseat

by spex



# Client Details

|                   |  |       |
|-------------------|--|-------|
| Client/User name: |  | Notes |
| Date:             |  |       |
| DOB:              |  |       |

# Notes

| Further Information |
|---------------------|
|                     |
|                     |
|                     |
|                     |
|                     |

# Specifications

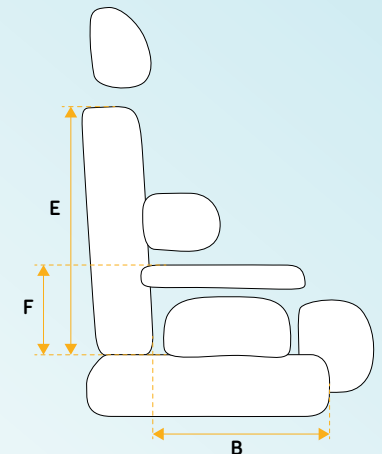
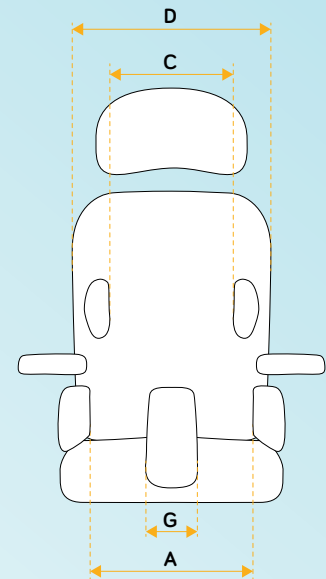
|                      | Size 0 | Size 1  |
|----------------------|--------|---------|
| Approximate user age | 1-5yrs | 4-11yrs |
| Max Load             | 47kg   | 47kg    |

|                   | Bounce | Space | Bounce | Space |
|-------------------|--------|-------|--------|-------|
| Product Weight    | 7.6kg  | 7.9kg | 9.1kg  | 9.5kg |
| Tray Table Weight |        | 1.7kg |        | 1.7kg |

|   | Measurement                 | Size 0 |      | Size 1 |      |
|---|-----------------------------|--------|------|--------|------|
|   |                             | Min    | Max  | Min    | Max  |
| A | Lateral Thigh Support Width | 15cm   | 25cm | 18cm   | 30cm |
| B | Seat Depth                  | 15cm   | 28cm | 23cm   | 38cm |
| C | Lateral Trunk Support Width | 10cm   | 24cm | 15cm   | 29cm |
| D | Back Support Width          | 20cm   |      | 25cm   |      |
| E | Back Support Height         | 25cm   | 38cm | 30cm   | 43cm |
| F | Arm Support Height          | 12cm   | 19cm | 11cm   | 19cm |

| Wonderseat Space |                            |     |      |     |      |
|------------------|----------------------------|-----|------|-----|------|
| G                | Medial Thigh Support Width | 4cm | 13cm | 4cm | 13cm |

| Chair Compatibility                 | Size 0      | Size 1      |
|-------------------------------------|-------------|-------------|
| Tube Diameter                       | 19mm - 30mm | 19mm - 30mm |
| Frame Width                         | 10" - 12"   | 12" - 14"   |
| Frame Depth                         | 11" - 14"   | 14" - 17"   |
| Back Post Height                    | 10" - 16"   | 11" - 18"   |
| Seat Base Mounting Point Separation | 3" - 7"     | 6" - 11"    |



## Colour



## Cushion

### Wonderseat Constructa Cushion



Size 0, 10" x 12"  
1102-1012-WSC  
Size 1, 12" x 16"  
1102-1216-WSC

Cushion Spare Cover

## Back Support

### Growth-Adjust



Size 0, 12" x 11-15"  
1252-1211-OGA  
Size 0, 12" x 14-18"  
1252-1214-OGA  
Size 1, 14" x 12-17"  
1252-1412-OGA  
Size 1, 14" x 16- 21"  
1252-1416-OGA

### Growth-Adjust Spex Classic (Adaptable Contour)



Straight T Shape

Size 0, 12" x 11-15"  
1255-1211-[O/T]GA  
Size 0, 12" x 14-18"  
1255-1214-[O/T]GA  
Size 1, 14" x 12-17"  
1255-1412-[O/T]GA  
Size 1, 14" x 16-21"  
1255-1416-[O/T]GA

## Seat Base

### Quick Release Hardware



Size 0, 10" x 12"  
1008-1012-QRB  
Size 1, 12" x 16"  
1008-1216-QRB

### Fixed Seat Hardware



Size 0, 10" x 12"  
1008-1012-FXB  
Size 1, 12" x 16"  
1008-1216-FXB

## Back Support Hardware



Drop Mount Hardware - Paediatric (available in AU/NZ)  
1259-1400-00P



Single Mount Hardware  
1259-2100-100



Quad Mount Hardware  
1259-2400-100

## Head Support Pad



Circle 150  
1275-0011-000



Comfort 250  
1275-0031-000



Contour 250  
1275-0021-000



Paediatric Standard Lateral  
1275-0041-000



Paediatric Extended Lateral  
1275-0042-000

## Head Support Hardware



Wonderseat Quick-Release\*  
1274-3232-100



Wonderseat Lite\*  
1274-0232-100

## Lateral Trunk Support Hardware



Paediatric Axial Lateral  
1266-2613-100-[L/R]

Pair

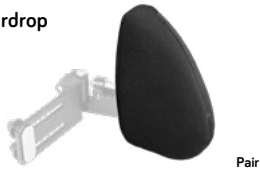


Paediatric Swing-Away Lateral  
1266-2623-400

Pair

## Lateral Trunk Support Pads

### Teardrop



Size 0, 14 x 8cm  
1266-305[1/2]-400

### Broad



Size 1, 10.5 x 13 cm  
1266-3031-400  
Size 2, 12.5 x 14 cm  
1266-3032-400

### Narrow Straight



Size 0, 8.5 x 11.5cm  
1266-3010-400  
Size 1, 9.5 x 14.5cm  
1266-3011-400  
Size 2, 9.5 x 18cm  
1266-3012-400

### Narrow Curved



Size 1, 9.5 x 14.5cm  
1266-3021-400  
Size 2, 9.5 x 18cm  
1266-3022-400

## Arm Support Pads

### Wonderseat Arm Support Pad\*



Size 0, 9 x 20cm  
1156-6410-310  
Size 1, 9 x 25cm  
1156-6411-310

### Wonderseat Arm & Elbow Support Pad\*



Size 0, 9 x 20cm  
1156-6420-310  
Size 1, 9 x 25cm  
1156-6421-310

## Arm & Thigh Support Hardware



Wonderseat Side-Release\*  
1156-0403-130-[L/R]



Wonderseat Complete-Release\*  
1156-0403-110-[L/R]

## Lateral Thigh Support Pads



Wonderseat Thigh Support Pad, 5" deep,  
11.5 x 8.5cm\*  
1156-1105-400



Wonderseat Snug Thigh Support Pad, 8" deep,  
19 x 8.5cm\*  
1156-1208-400-[L/R]



Wonderseat Thigh Support Pad, 8" deep,  
19 x 8.5cm\*  
1156-1108-400



10" Thigh Support Pad,  
26.5 x 9cm  
1156-1010-400

## Medial Thigh Support



Wonderseat Adjustable Medial Thigh Support,  
Pad height 7cm\*  
1162-1401-000



Medial Thigh/Knee Block with Axial-Adjust Pad,  
Size 1, Pad height 9.5cm  
1162-1601-000

## Tray Table



Wonderseat Tray Table,  
52cm x 42cm\*  
1311-7410-013



Wonderseat Tray Table Padding\*  
1311-7410-013-C

## Anterior Pelvic Support



Spex 2 Point Padded Hip Belt, Pad width 30cm  
1405-6220-027



Wonderseat 4-Point Padded Hip Belt, Pad width 24cm  
1406-5420-027

## Anterior Trunk Support

### Wonderseat Padded Centrepoint Shoulder Harness\*



Size 0, Pad height 22cm  
1409-5660-017  
Size 1, Pad height 28cm  
1409-5661-017

## Bit-Box



### Bit-Box\*

Space Bounce Zoomy

\*These products are designed to work as part of a complete Wonderseat Seating System, and are not compatible with other components of the Spex Seating range