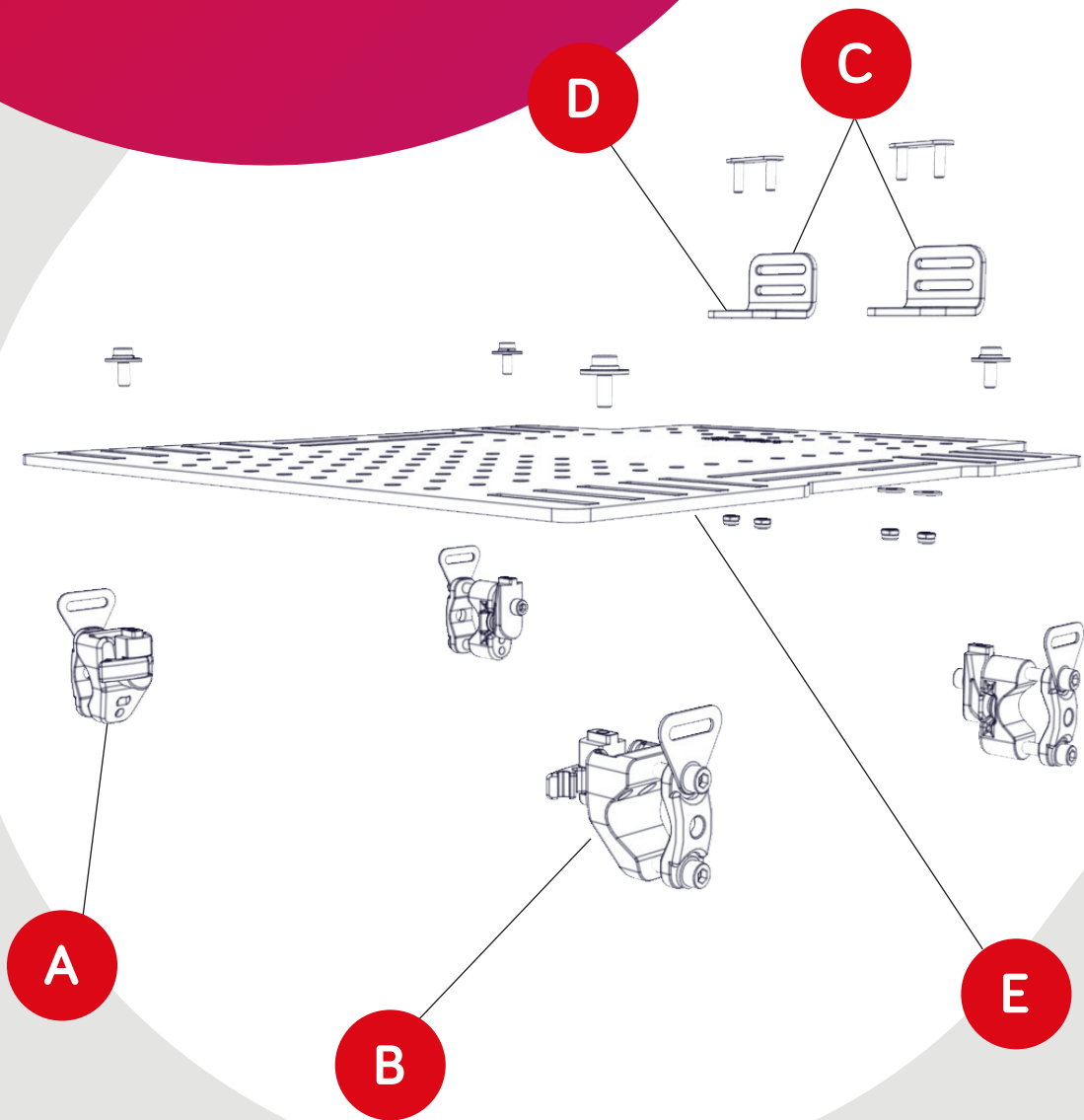


# Spare Parts & Components



**spex**

**SPARE PARTS**

SCRIPTING AND ORDERING GUIDE

# CONTENTS

SEAT BASE	3
CUSHION COVERS	4 - 10
CONSTRUCTA SPARE PARTS	11 - 12
CUSHION COVER MODIFICATIONS	13
BACK SUPPORTS	14 - 21
BACK SUPPORT CUSTOMISATIONS	22
BACK SUPPORT HARDWARE	23 - 31
BACK SUPPORT FASTENERS	32
LATERAL TRUNK SUPPORT	33 - 36
MEDIAL THIGH SUPPORT	37
ARM/THIGH SUPPORT	38 - 39
HEAD SUPPORTS	40 - 42
HARNESS & HIP BELTS	43
TRAY TABLES	44

## CONTACT US

If you need help finding a spare part or have a product enquiry, you can contact us using the following details:

Operations Head Office  
1300 543 343  
[solutions@spexseating.com](mailto:solutions@spexseating.com)



Home of Innovation  
0800 543 343  
[solutions@spexseating.com](mailto:solutions@spexseating.com)

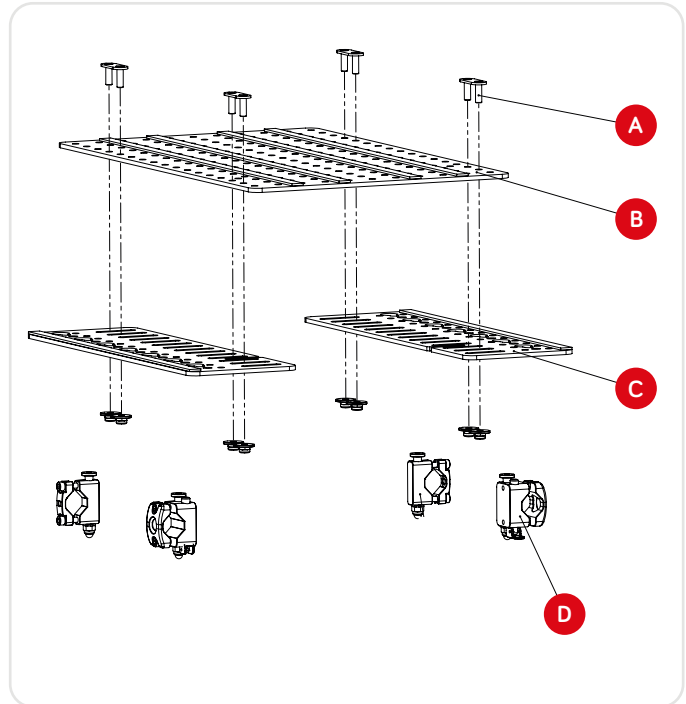


International  
+64 3 307 9790  
[solutions@spexseating.com](mailto:solutions@spexseating.com)



# SEAT PAN (DISCONTINUED)

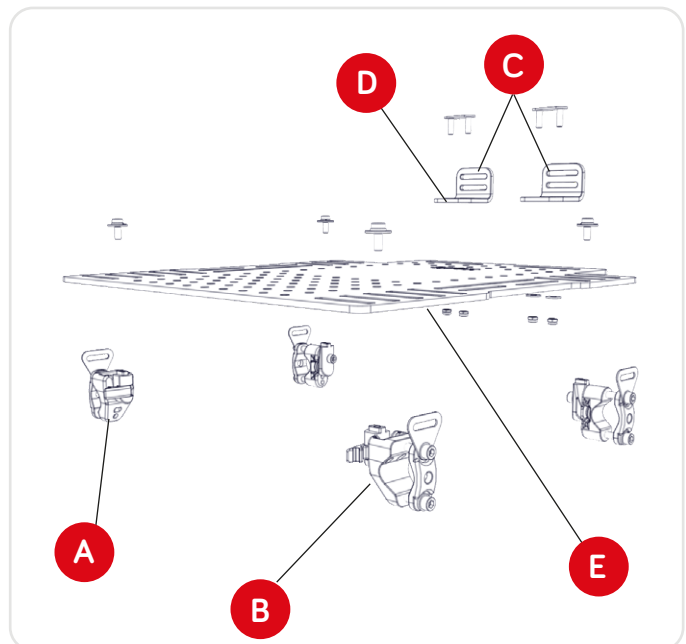
#	CODE	DESCRIPTION	QTY
A	1009-0251-100	Fixing plate	QTY
B	1009-1012-100	Main Plate 10"/11" - 12" WC Width	QTY
B	1009-1212-100	Main Plate 12"/13" - 12" WC Width	QTY
B	1009-1214-100	Main Plate 12"/13" - 14" WC Width	QTY
B	1009-1414-100	Main Plate 14"/15" - 12" WC Width	QTY
B	1009-1416-100	Main Plate 14"/15" - 14" WC Width	QTY
B	1009-1412-100	Main Plate 14"/15" - 16" WC Width	QTY
B	1009-1616-100	Main Plate 16"/17" - 16" WC Width	QTY
B	1009-1618-100	Main Plate 16"/17" - 18" WC Width	QTY
C	1009-0010-100	Seat pan side wings - 10" Depth	QTY
C	1009-0012-100	Seat pan side wings - 12" Depth	QTY
C	1009-0014-100	Seat pan side wings - 14" Depth	QTY
C	1009-0016-100	Seat pan side wings - 16" Depth	QTY
C	1009-0018-100	Seat pan side wings - 18" Depth	QTY
C	1009-0020-100	Seat pan side wings - 20" Depth	QTY
D	1009-0210-100	Seat pan rail clamps	QTY



# SEAT BASE

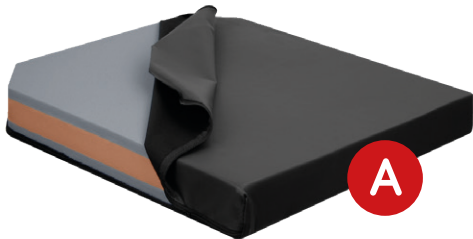
#	CODE	DESCRIPTION	QTY
E	1008-1012-100	Spex Seat Base only, 10" x 12"	QTY
E	1008-1014-100	Spex Seat Base only, 10" x 14"	QTY
E	1008-1212-100	Spex Seat Base only, 12" x 12"	QTY
E	1008-1214-100	Spex Seat Base only, 12" x 14"	QTY
E	1008-1216-100	Spex Seat Base only, 12" x 16"	QTY
E	1008-1218-100	Spex Seat Base only, 12" x 18"	QTY
E	1008-1414-100	Spex Seat Base only, 14" x 14"	QTY
E	1008-1416-100	Spex Seat Base only, 14" x 16"	QTY
E	1008-1418-100	Spex Seat Base only, 14" x 18"	QTY
E	1008-1517-100	Spex Seat Base only, 15" x 17"	QTY
E	1008-1520-100	Spex Seat Base only, 15" x 20"	QTY
E	1008-1616-100	Spex Seat Base only, 16" x 16"	QTY
E	1008-1618-100	Spex Seat Base only, 16" x 18"	QTY
E	1008-1620-100	Spex Seat Base only, 16" x 20"	QTY
E	1008-1622-100	Spex Seat Base only, 16" x 22"	QTY
E	1008-1717-100	Spex Seat Base only, 17" x 17"	QTY
E	1008-1720-100	Spex Seat Base only, 17" x 20"	QTY
E	1008-1722-100	Spex Seat Base only, 17" x 22"	QTY
E	1008-1818-100	Spex Seat Base only, 18" x 18"	QTY
E	1008-1820-100	Spex Seat Base only, 18" x 20"	QTY
E	1008-1822-100	Spex Seat Base only, 18" x 22"	QTY
E	1008-2020-100	Spex Seat Base only, 20" x 20"	QTY

#	CODE	DESCRIPTION	QTY
A	1008-0204-100	Fixed Hardware Kit	QTY
B	1008-0206-100	Quick Release Hardware Kit	QTY
C	1008-0250-100	Pair of Cushion Retainers	QTY
D	1008-0251-100	Single Cushion Retainer	QTY



# DUALTEC CUSHION COVERS

DUALTEC CUSHION (PICTURED)

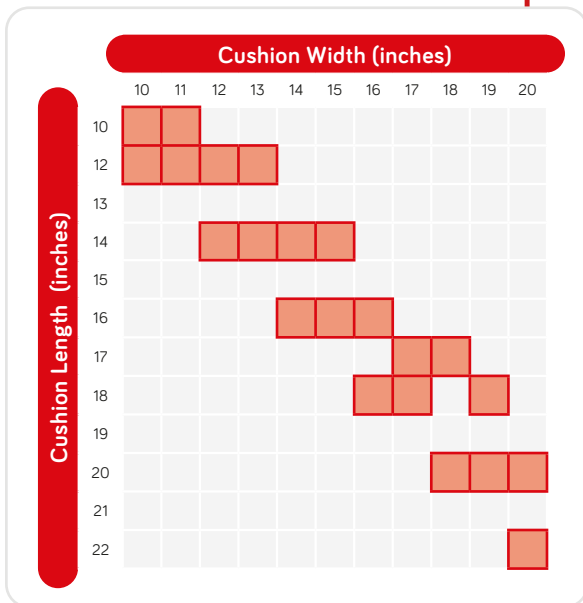
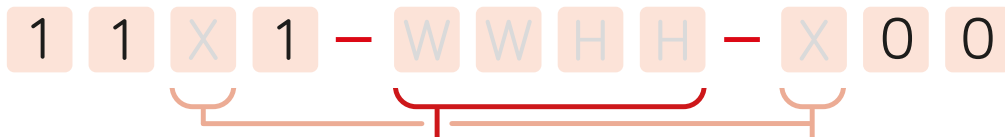


**A**



**B**

## BUILD CODE FOR DUALTEC CUSHION



- A** OUTER COVER  
XX2X-XXXX-6XX
- B** SPARE INCONTINENCE COVER  
XX3X-XXXX-7XX

**CUSTOM SIZING**  
ADD XXXX IN WWHH ON CODE BUILDER - RESTRICTIONS APPLY

WW = \_\_\_\_\_ HH = \_\_\_\_\_

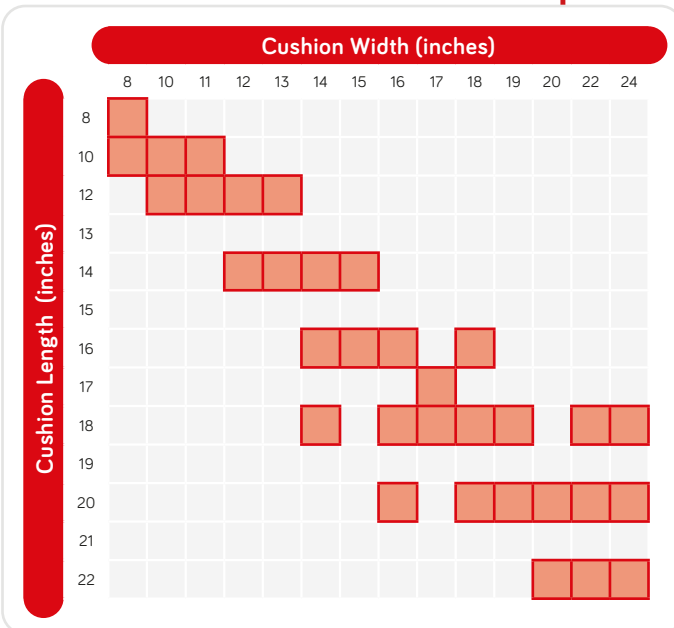
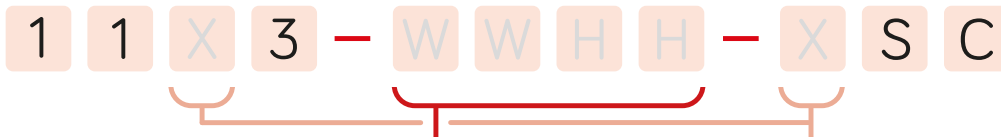
— SIZES AVAILABLE FOR DUALTEC CUSHIONS

# VIGOUR STANDARD CUSHION COVERS

VIGOUR STANDARD CONTOUR CUSHION (PICTURED)



## BUILD CODE FOR VIGOUR STANDARD CUSHION



**A** OUTER COVER  
XX2X-XXXX-6XX

**B** SPARE INCONTINENCE COVER  
XX3X-XXXX-7XX

### CUSTOM SIZING

ADD XXXX IN WWHH ON CODE BUILDER - RESTRICTIONS APPLY

WW = \_\_\_\_\_ HH = \_\_\_\_\_

■ — SIZES AVAILABLE FOR VIGOUR STANDARD CONTOUR CUSHION

# VIGOUR HIGH CUSHION COVERS

VIGOUR HIGH CONTOUR CUSHION (PICTURED)



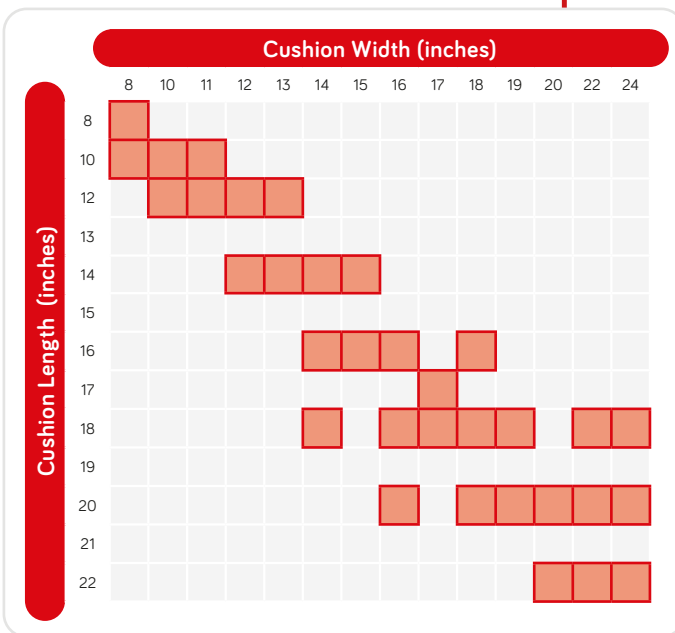
A



B

## BUILD CODE FOR VIGOUR HIGH CUSHION

1 1 X 3 - W W H H - X H C



**A** OUTER COVER  
XX2X-XXXX-6XX

**B** SPARE INCONTINENCE COVER  
XX3X-XXXX-7XX

**CUSTOM SIZING**  
ADD XXXX IN WWHH ON CODE BUILDER - RESTRICTIONS APPLY

WW =          
 HH =

■ — SIZES AVAILABLE FOR VIGOUR HIGH CONTOUR CUSHION

# SPEX STANDARD CONTOUR COVERS

SPEX STANDARD CONTOUR CUSHION (PICTURED)



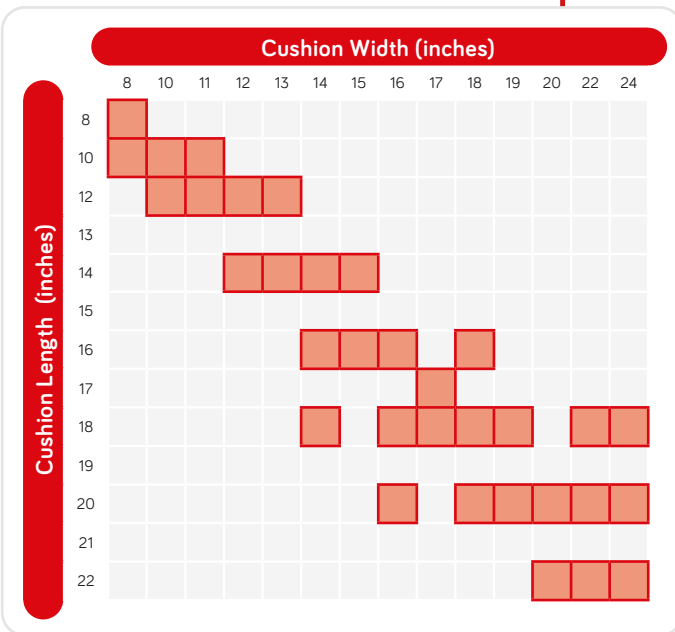
**A**



**B**

## BUILD CODE FOR SPEX STANDARD CONTOUR CUSHION

1 1 X 5 - W W H H - X S C



**A** OUTER COVER  
XX2X-XXXX-6XX

**B** SPARE INCONTINENCE COVER  
XX3X-XXXX-7XX

### CUSTOM SIZING

ADD XXXX IN WWHH ON CODE BUILDER - RESTRICTIONS APPLY

WW =  
     
    
 HH =

 SIZES AVAILABLE FOR SPEX STANDARD CONTOUR CUSHION

## CUSTOMISATIONS & MODIFICATIONS

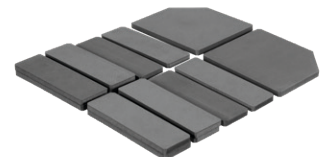
### CUSHION ACCESSORIES

### CODE

### CUSHION SIZE

x

### CONTOURING KIT

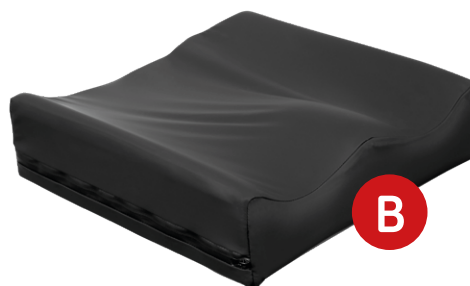


# SPEX HIGH CONTOUR COVERS

SPEX HIGH CONTOUR CUSHION (PICTURED)



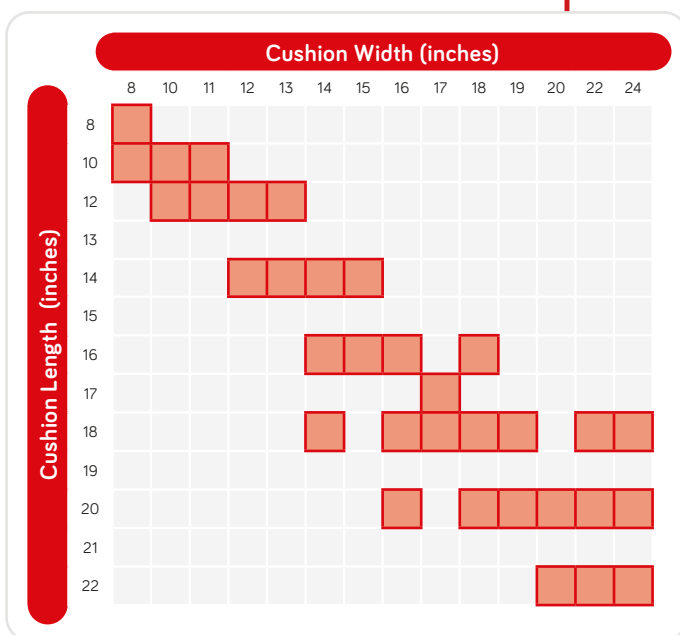
**A**



**B**

## BUILD CODE FOR SPEX HIGH CONTOUR CUSHION

1 1 X 5 - W W H H - X H C



**A** OUTER COVER  
XX2X-XXXX-6XX

**B** SPARE INCONTINENCE COVER  
XX3X-XXXX-7XX

**CUSTOM SIZING**  
ADD XXXX IN WWWW ON CODE BUILDER - RESTRICTIONS APPLY

WW =      
HH =

■ — SIZES AVAILABLE FOR SPEX HIGH CONTOUR CUSHION

## CUSTOMISATIONS & MODIFICATIONS

**CUSHION ACCESSORIES**

Additional Contouring Kit

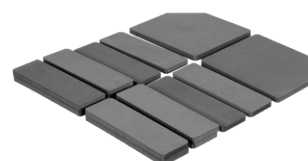
**CODE**

1149-XXXX-060

**CUSHION SIZE**

x

## CONTOURING KIT





# SPEX SUPERHIGH CONTOUR COVERS

SPEX SUPERHIGH CONTOUR CUSHION (PICTURED)



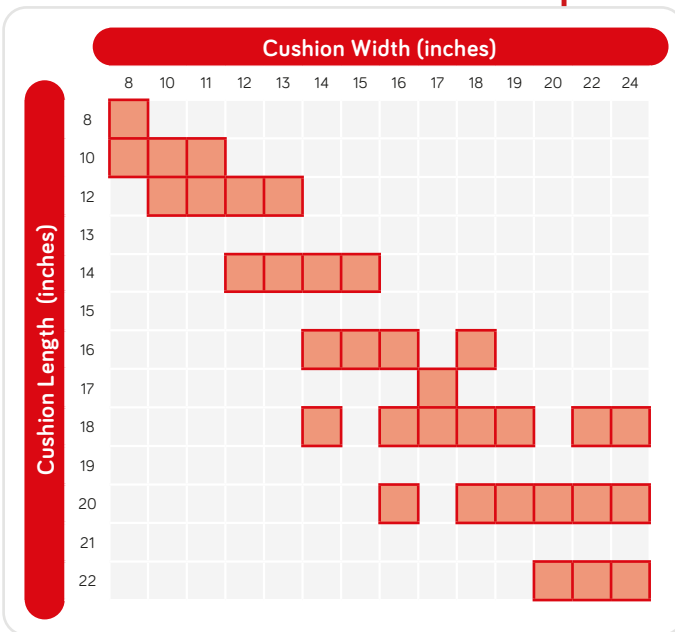
A



B

## BUILD CODE FOR SPEX SUPERHIGH CONTOUR CUSHION

1 1 X 5 - W W H H - X S S



**A** OUTER COVER  
XX2X-XXXX-6XX

**B** SPARE INCONTINENCE COVER  
XX3X-XXXX-7XX

**CUSTOM SIZING**  
ADD XXXX IN WWHH ON CODE BUILDER - RESTRICTIONS APPLY

WW =          
 HH =

■ — SIZES AVAILABLE FOR SPEX SUPERHIGH CONTOUR CUSHION

## CUSTOMISATIONS & MODIFICATIONS

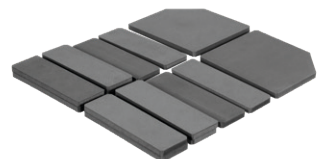
### CUSHION ACCESSORIES

### CODE

### CUSHION SIZE

x

### CONTOURING KIT



# SPEX CONSTRUCTA COVERS

SPEX CONSTRUCTA CUSHION (PICTURED)



**A**



**B**



**C**



**D**



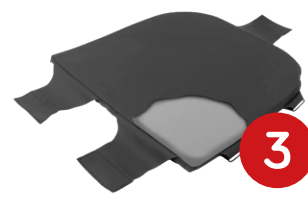
**E**



**1**



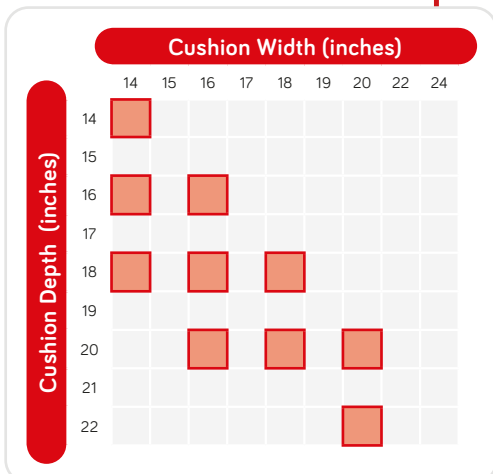
**2**



**3**

## BUILD CODE FOR SPEX CONSTRUCTA CUSHION COVER

1 1 0 2 - W W D D - X X X - X X



■ — SIZES AVAILABLE FOR SPEX CONSTRUCTA CUSHION

- STYLE**
- A** CONSTRUCTA SHAPE  
XXXX-XXXX-0XX
  - B** CONSTRUCTA FLEX  
XXXX-XXXX-FXX

- CONTOUR**
- C** STANDARD OR HIGH  
XXXX-XXXX-X0C
  - D** SUPERHIGH  
XXXX-XXXX-XSS
  - E** ANY (INNER)  
XXXX-XXXX-X00

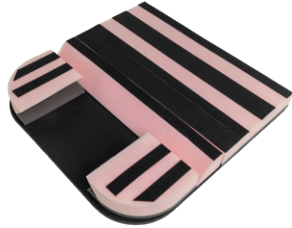
- COVER**
- 1** OUTER COVER  
XXXX-XXXX-XXX-CX
  - 2** SPARE INNER COVER  
XXXX-XXXX-X00-IX
  - 3** SPARE OVERLAY  
XXXX-XXXX-XXX-FI

# SPEX CONSTRUCTA SPARE PARTS

## CONSTRUCTA SHAPE BASE

Specify cushion size - Width (WW) x Depth (DD) (inches)  
Quantity per cushion specified in red text

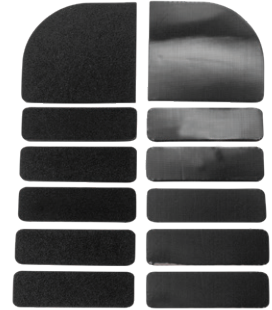
Constructa Shape Positioning Base  
1 Set



1102-WWDD-213



Strategic Positioning Kit  
1 Set



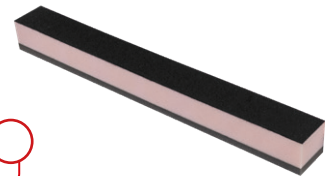
1102-WW 00-000

Constructa Shape Thigh Block  
1 Each



1102-WWDD-212

Constructa Shape 5cm Thigh Block  
1 Each



1102-WWDD-222

## CONSTRUCTA FLEX BASE

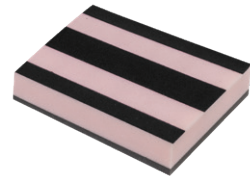
Insert values as relevant - Width (WW) x Depth (DD) (inches)  
Quantity per cushion specified in red text

Constructa Flex Rear Underpanel Pivot  
1 Each



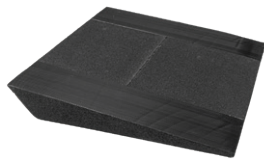
1102-WW 00-311

Constructa Flex Thigh Block  
2 Each



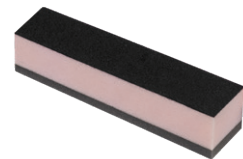
1102-WWDD-312

Constructa Flex Leg Wedge  
2 Each



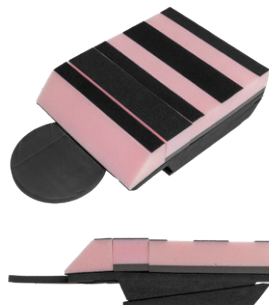
1102-WWDD-321

Constructa Flex 5cm Thigh Block  
2 Each



1102-WW 00-322

Constructa Flex Leg with Positioning Blocks  
2 Set



1102-WWDD-323

Pelvic Adjustment Kit  
1 Set



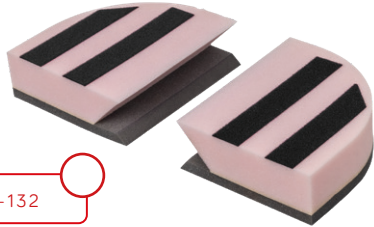
1102-WW 00-F00

# SPEX CONSTRUCTA SPARE PARTS CONTINUED

## POSITIONING BLOCKS

Insert values as relevant - Width (WW) x Depth (DD) (inches)  
Quantity per cushion specified in red text

Constructa Trochanter Blocks  
1 Pair



1102-00-132

Constructa Ischial Insert  
1 Each

**IMPORTANT:** 18" and 20" cushions use the same size ischial insert, please specify 20 in the code builder.



1102-00-142

## CONTOURS

Insert values as relevant - Width (WW) x Depth (DD) (inches)  
Quantity per cushion specified in red text

Constructa Standard Lateral Thigh Contours  
1 Pair



1102-00--11SC

Constructa High Lateral Thigh Contours  
1 Pair



1102-00--11HC

Constructa Superhigh Lateral Thigh Contours  
1 Pair



1102-00--11SS

Constructa Standard Lateral Pelvic Contours  
1 Pair



1102-0000-12SC

Constructa High Lateral Pelvic Contours  
1 Pair



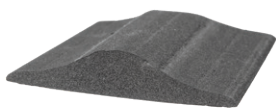
1102-0000-12HC

**IMPORTANT:**

14" and 16" cushions use the same size medial contour, please specify 16 in the code builder.

18" and 20" cushions use the same size medial contour, please specify 20 in the code builder.

Constructa Shape Standard Medial Contour  
1 Each



1102-00-23SC

Constructa Shape High Medial Contour  
1 Each



1102-00-23HC

Constructa Shape Superhigh Medial Contour  
1 Each



1102-00-23SS

Constructa Flex Standard Medial Contours  
1 Pair



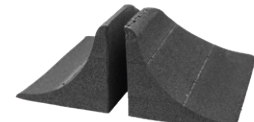
1102-00-33SC

Constructa Flex High Medial Contours  
1 Pair



1102-00-33HC

Constructa Flex Superhigh Medial Contours  
1 Pair



1102-00-33SS

Flexy Contour  
1 Each



1102-00-00F

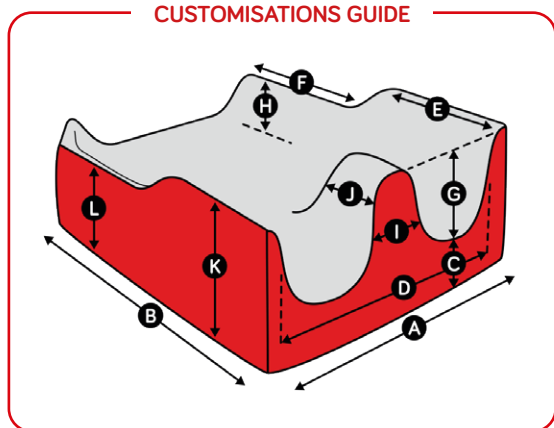
# CUSHION COVER MODIFICATIONS

PRODUCT	OUTER COVER	SPARE INCONTINENCE COVER
DUALTEC	1121-2949-600 <input type="text" value="QTY"/>	1131-2949-700 <input type="text" value="QTY"/>
VIGOUR	1123-2949-600 <input type="text" value="QTY"/>	1133-2949-700 <input type="text" value="QTY"/>
SPEX	1125-2949-600 <input type="text" value="QTY"/>	1135-2949-700 <input type="text" value="QTY"/>
FLEX	1126-2949-600 <input type="text" value="QTY"/>	1136-2949-700 <input type="text" value="QTY"/>

**CUSTOMISATIONS**

Describe existing cushion modifications when above covers are ordered. Original order number for existing custom cushion must be specified when ordering replacement covers

CUSTOMISATION	#	MEASUREMENT
CUSHION WIDTH	A	<input type="text" value="MM"/>
CUSHION LENGTH	B	<input type="text" value="MM"/>
BASE HEIGHT	C	<input type="text" value="MM"/>
CONTOUR WIDTH	D	<input type="text" value="MM"/>
THIGH LATERALS FRONT LENGTH	E	<input type="text" value="MM"/>
THIGH LATERALS REAR LENGTH	F	<input type="text" value="MM"/>
MEDIAL THIGH HEIGHT	G	<input type="text" value="MM"/>
THIGH LATERALS REAR HEIGHT	H	<input type="text" value="MM"/>
MEDIAL THIGH FRONT WIDTH	I	<input type="text" value="MM"/>
MEDIAL THIGH BASE LENGTH	J	<input type="text" value="MM"/>
FRONT CUSHION HEIGHT	K	<input type="text" value="MM"/>
REAR CUSHION HEIGHT	L	<input type="text" value="MM"/>



**USER CONTACT SURFACE (TOP OF CUSHION)**

- DUAL FABRIC (default)
- SPEXTEX WATERPROOF PU (1111-0399-209)
- SPEXTEX KNITTED FABRIC (1111-0399-219)
- MERINO (1111-0399-330)

**BORDER FABRIC (SIDE PANELS)**

- DUAL FABRIC (1111-0491-286)
- SPEXTEX WATERPROOF PU (1111-0491-209)
- SPEXTEX KNITTED FABRIC (1111-0491-219)
- AIR MESH (default)

**CUSTOM FABRIC CHOICES ON COVER**

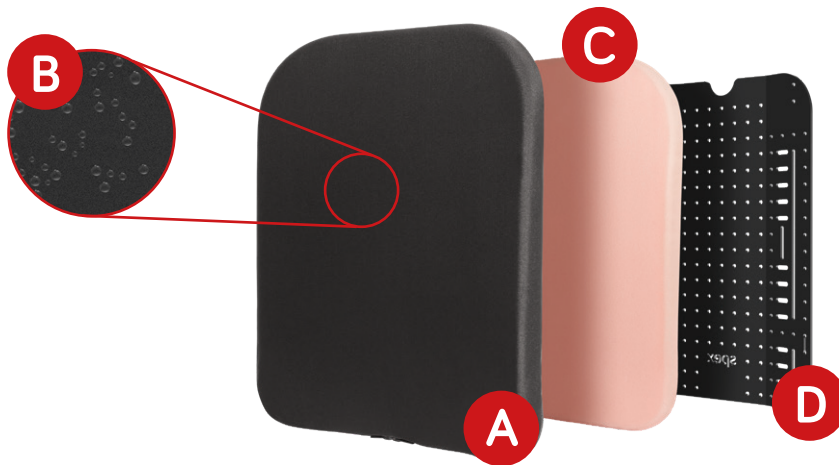


**COLOURS AVAILABLE**

- Black (default)
- Chilli 1111-0491-022
- Mango 1111-0491-030
- Calypso 1111-0491-028
- Royal 1111-0491-077
- Bumblebee 1111-0491-044
- Ocean 1111-0491-060
- Leaf 1111-0491-054
- Granite 1111-0491-090

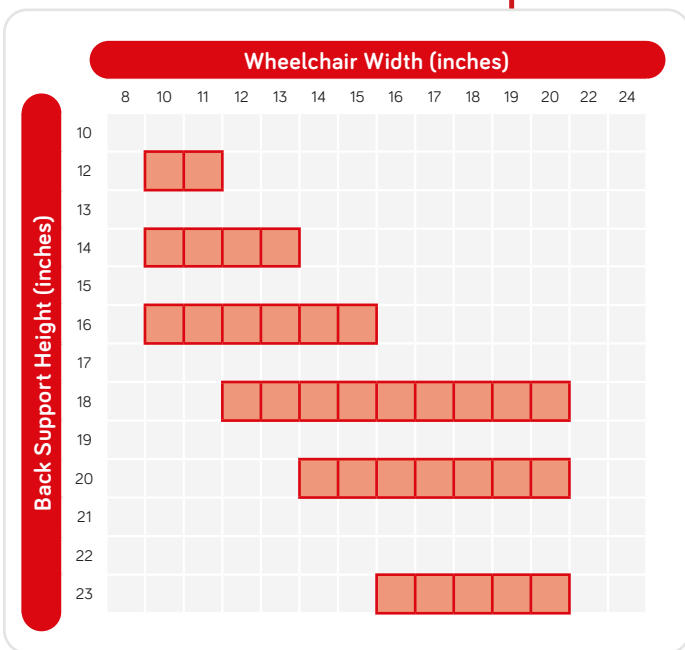
# VIGOUR

VIGOUR BACK SUPPORT - EXPLODED



## BUILD CODE FOR VIGOUR BACK SUPPORT

1 2 5 2 - W W H H - 0 0 H - X



- A** OUTER COVER  
XXXX-XXXX-XXX-C
- B** INCONTINENCE COVER  
XXXX-XXXX-XXX-I
- C** FOAM INNER  
XXXX-XXXX-XXX-F
- D** SHELL  
XXXX-XXXX-XXX-S

— SIZES AVAILABLE FOR VIGOUR BACK SUPPORT

## CUSTOMISATIONS & MODIFICATIONS

### T-SHAPE MODIFICATIONS

Modification	CODE	QTY
T-shape upgrade - foam	1209-2561-OTS-F	<input type="text"/>
T-shape upgrade - cover	1209-2561-OTS-C	<input type="text"/>

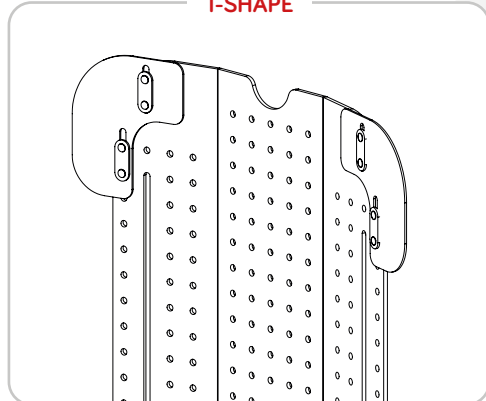
### FOAM INNER MODIFICATIONS

Modification	CODE	QTY
Air-Flow Upgrade	1209-2351-300	<input type="text"/>

### T-SHAPE MODIFICATIONS FOR SHELL

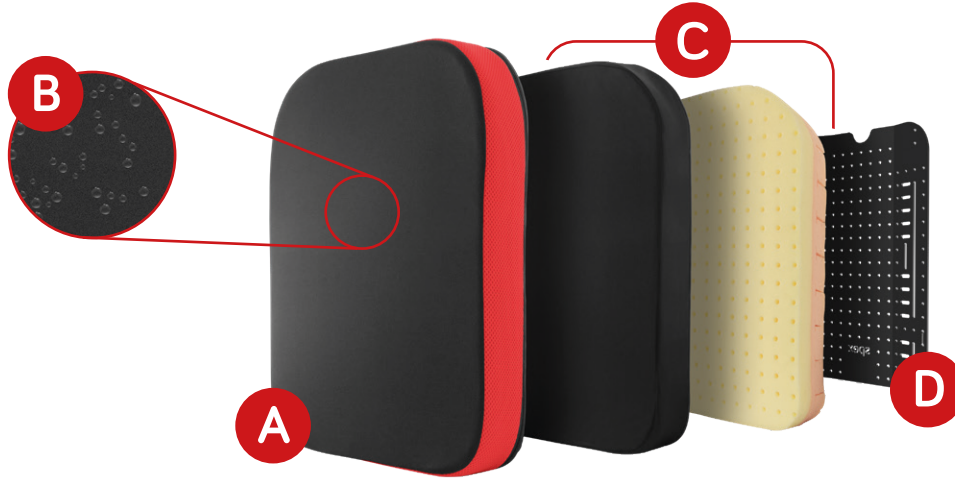
Modification	CODE	QTY
T-shape upgrade - shell: 10 - 15"	1209-2110-OTS-S	<input type="text"/>
T-shape upgrade - shell: 16"+	1209-2116-OTS-S	<input type="text"/>

### T-SHAPE



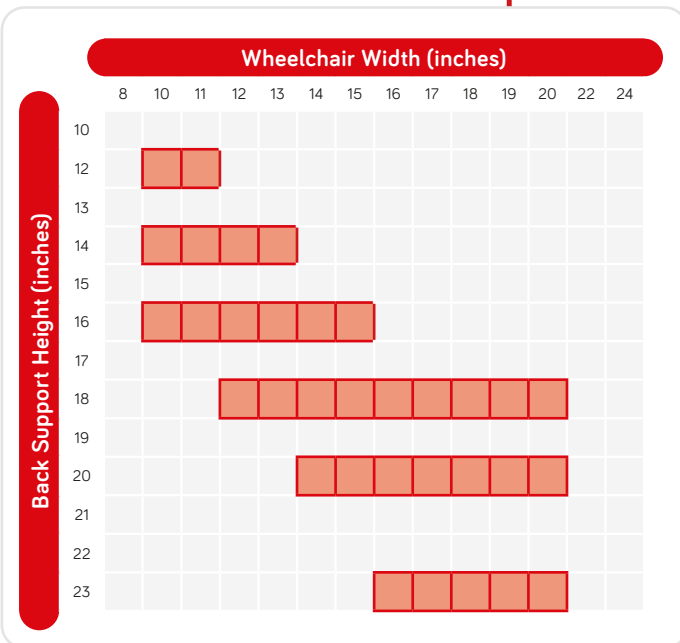
# COMFI

## COMFI BACK SUPPORT - EXPLODED



## BUILD CODE FOR COMFI BACK SUPPORT

1 2 5 3 - W W H H - 0 0 H - X



- A** OUTER COVER  
XXXX-XXXX-XXX-C
- B** INCONTINENCE COVER  
XXXX-XXXX-XXX-I
- C** FOAM INNER  
XXXX-XXXX-XXX-F
- D** SHELL  
XXXX-XXXX-XXX-S

— SIZES AVAILABLE FOR COMFI BACK SUPPORT

## CUSTOMISATIONS & MODIFICATIONS

### SURFACE STYLE MODIFICATIONS

Modification	CODE	QTY
Surface-Style upgrade - foam	1209-2552-2TS-F	<input type="text"/>
Surface-Style upgrade - cover	1209-2551-2TS-C	<input type="text"/>

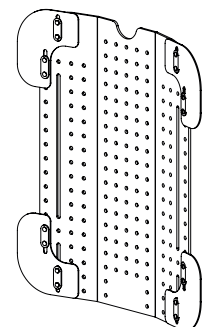
### SURFACE STYLE MODIFICATIONS FOR SHELL

Modification	CODE	QTY
Surface-Style upgrade - shell: 10-15"	1209-2110-2TS-S	<input type="text"/>
Surface-Style upgrade - shell: 16"+	1209-2116-2TS-S	<input type="text"/>
Spex Positioning Kit (Pack 10 Cubes)	1209-2712-300	<input type="text"/> * x <input type="text"/> *

### FOAM CUBES

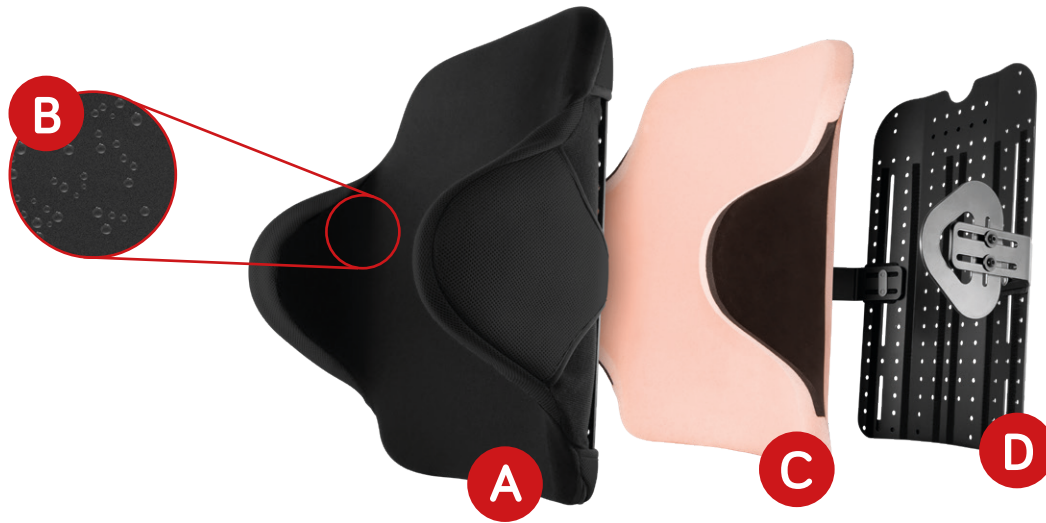


### SURFACE SHAPE



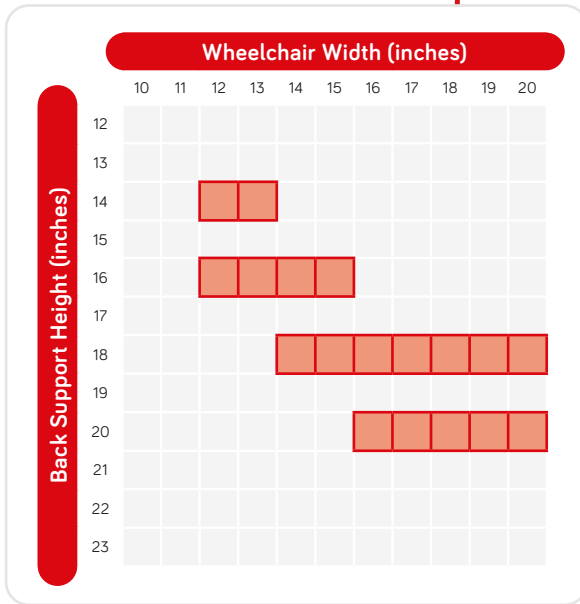
# MANTA

MANTA BACK SUPPORT - EXPLODED



## BUILD CODE FOR MANTA BACK SUPPORT

1 2 5 4 - W W H H - 0 0 0 - X



- A** OUTER COVER  
XXXX-XXXX-XXX-C
- B** INCONTINENCE COVER  
XXXX-XXXX-XXX-I
- C** FOAM INNER  
XXXX-XXXX-XXX-F
- D** SHELL  
XXXX-XXXX-XXX-S

■ — SIZES AVAILABLE FOR MANTA BACK SUPPORT

## CUSTOMISATIONS & MODIFICATIONS

### WING BRACKET ASSEMBLIES

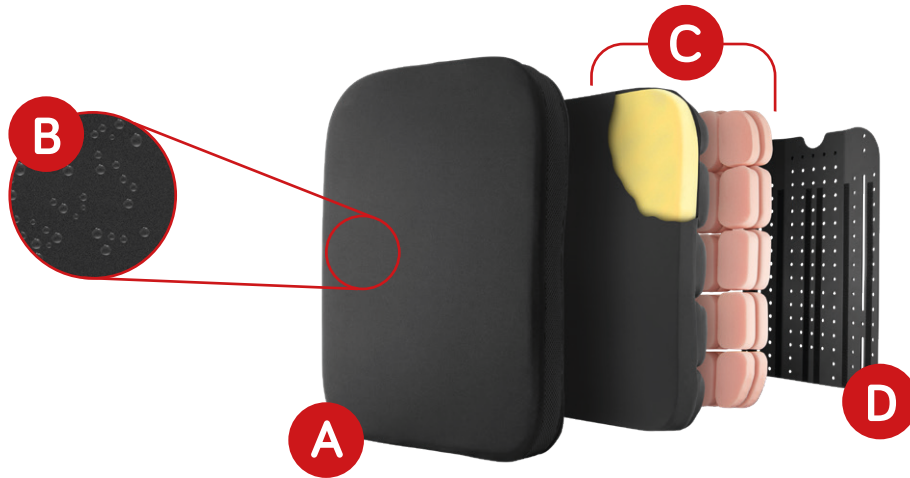
	CODE	
Size 0 - for 10-12" Back Support	1267-2700-100	EA
Size 1 - for 13-15" Back Support	1267-2710-100	EA
Size 2 - for 16"+ Back Support	1267-2720-100	EA

<b>A</b>	50mm - 10-13" Width	78mm - 14"+ Width
<b>B</b>	30mm - 10-13" Width	40mm - 14"+ Width



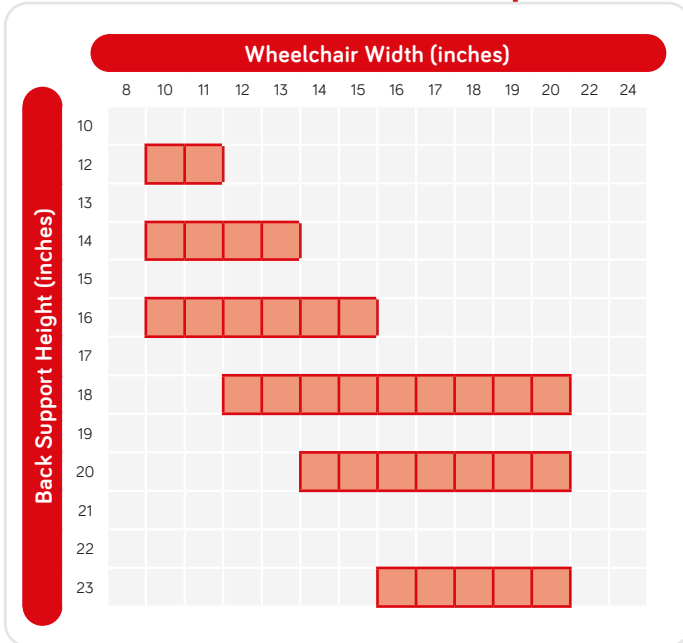
# SPEX CLASSIC

SPEX CLASSIC BACK SUPPORT - EXPLODED



BUILD CODE FOR SPEX CLASSIC BACK SUPPORT

1 2 5 5 - W W H H - 0 S S - X



- A** OUTER COVER  
XXXX-XXXX-XXX-C
- B** INCONTINENCE COVER  
XXXX-XXXX-XXX-I
- C** FOAM INNER  
XXXX-XXXX-XXX-F
- D** SHELL  
XXXX-XXXX-XXX-S

■ SIZES AVAILABLE FOR SPEX CLASSIC

## CUSTOMISATIONS & MODIFICATIONS

### SURFACE STYLE MODIFICATIONS

- Surface-Style upgrade - foam
- Surface-Style upgrade - cover

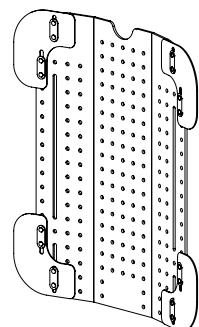
### SURFACE STYLE MODIFICATIONS FOR SHELL

- Surface-Style upgrade - shell: 10-15"
- Surface-Style upgrade - shell: 16"+
- Spex Positioning Kit (Pack 10 Cubes)   x

### FOAM CUBES

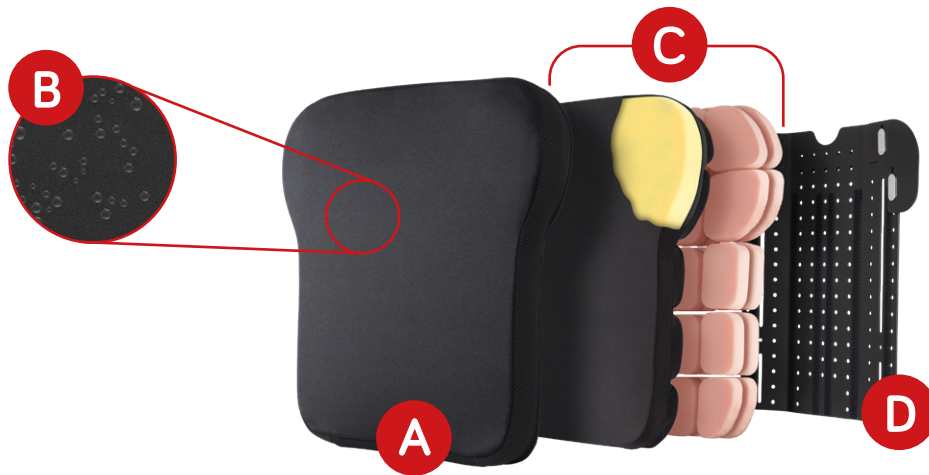


### SURFACE SHAPE



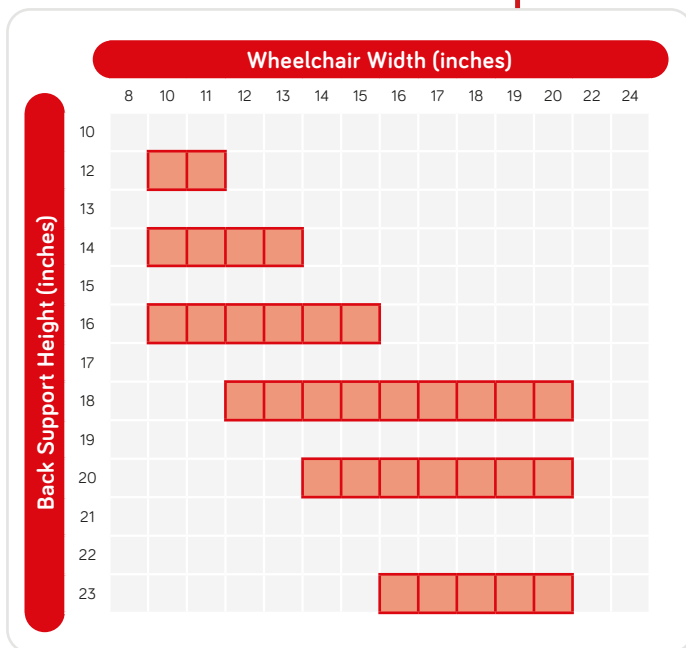
# SPEX CLASSIC T-SHAPE

CLASSIC T-SHAPE BACK SUPPORT - EXPLODED



BUILD CODE FOR CLASSIC T-SHAPE BACK SUPPORT

1 2 5 5 - W W H H - O T S - X



- A** OUTER COVER  
XXXX-XXXX-XXX-C
- B** INCONTINENCE COVER  
XXXX-XXXX-XXX-I
- C** FOAM INNER  
XXXX-XXXX-XXX-F
- D** SHELL  
XXXX-XXXX-XXX-S

■ — SIZES AVAILABLE FOR CLASSIC T-SHAPE BACK SUPPORT

## CUSTOMISATIONS & MODIFICATIONS

### SURFACE STYLE MODIFICATIONS

Modification	CODE	QTY
Surface-Style upgrade - foam	1209-2552-2TS-F	<input type="text"/>
Surface-Style upgrade - cover	1209-2551-2TS-C	<input type="text"/>

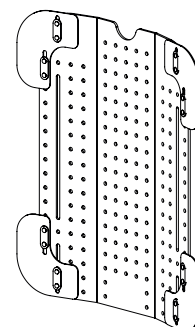
### SURFACE STYLE MODIFICATIONS FOR SHELL

Modification	CODE	QTY
Surface-Style upgrade - shell: 10-15"	1209-2110-2TS-S	<input type="text"/>
Surface-Style upgrade - shell: 16"+	1209-2116-2TS-S	<input type="text"/>
Spex Positioning Kit (Pack 10 Cubes)	1209-2712-300	<input type="text"/> x <input type="text"/>

### FOAM CUBES

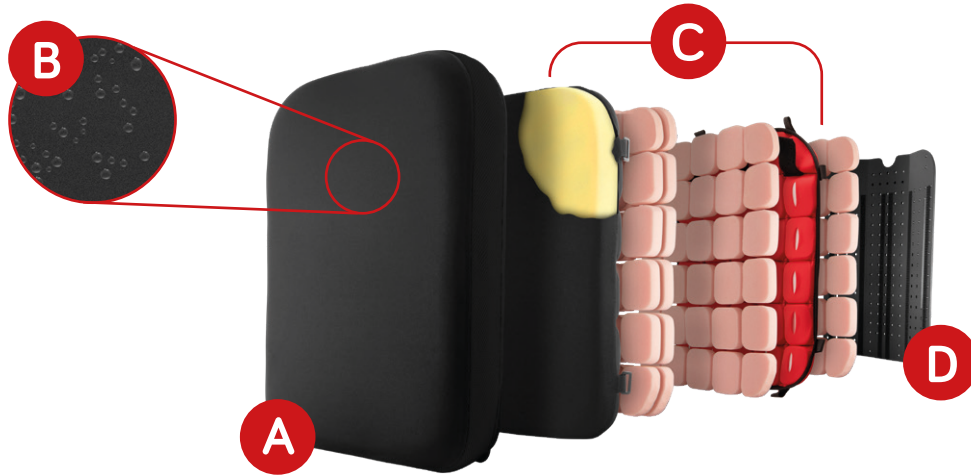


### SURFACE SHAPE



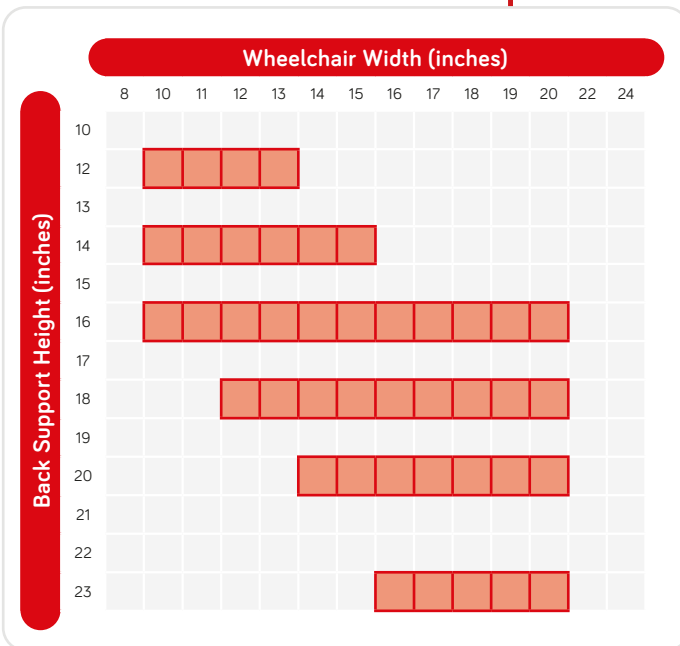
# SPEX SUPERSHAPE

SUPERSHAPE BACK SUPPORT - EXPLODED



BUILD CODE FOR SUPERSHAPE BACK SUPPORT

1 2 5 6 - W W H H - 0 S S - X



- A** OUTER COVER  
XXXX-XXXX-XXX-C
- B** INCONTINENCE COVER  
XXXX-XXXX-XXX-I
- C** FOAM INNER  
XXXX-XXXX-XXX-F
- D** SHELL  
XXXX-XXXX-XXX-S

■ SIZES AVAILABLE FOR SUPERSHAPE BACK SUPPORT

## CUSTOMISATIONS & MODIFICATIONS

### T-SHAPE MODIFICATIONS

### CODE

- T-shape upgrade - foam
- T-shape upgrade - cover

- 1209-2561-OTS-F
- 1209-2561-OTS-C

### T-SHAPE MODIFICATIONS FOR SHELL

### CODE

- T-shape upgrade - shell: 10 - 15"
- T-shape upgrade - shell: 16"+

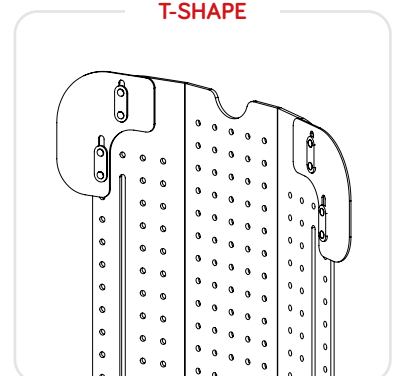
- 1209-2110-OTS-S
- 1209-2116-OTS-S

- Supershape Positioning Kit (20 Pink Cubes + 20 CCF Cubes) 1209-2715-300  x

### FOAM CUBES

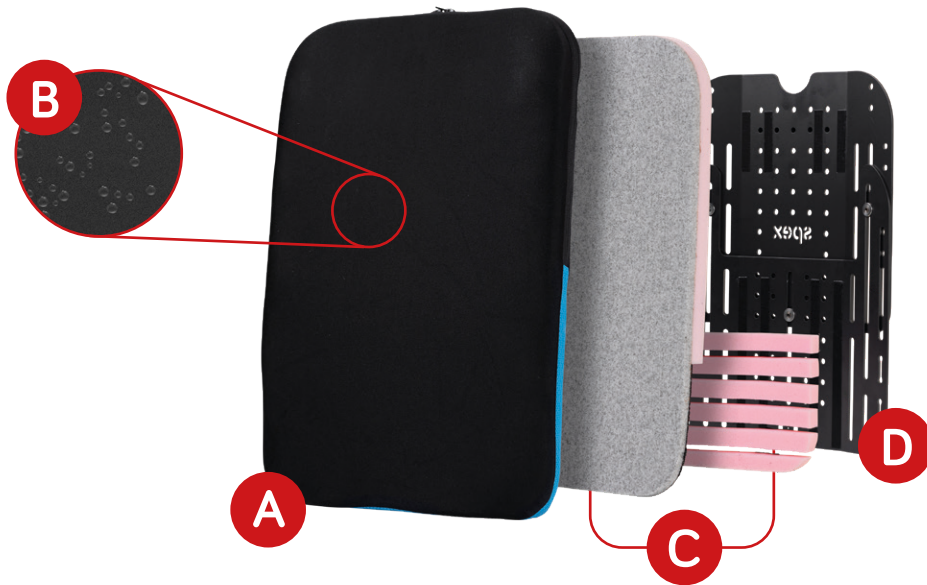


### T-SHAPE



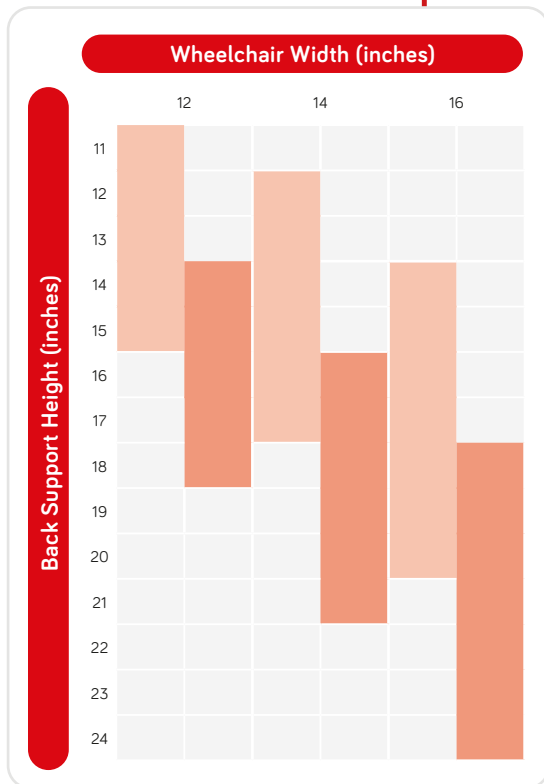
# GROWTH-ADJUST

GROWTH-ADJUST BACK SUPPORT - EXPLODED



BUILD CODE FOR GROWTH-ADJUST BACK SUPPORT

1 2 5 2 - W W H H - O G A - X



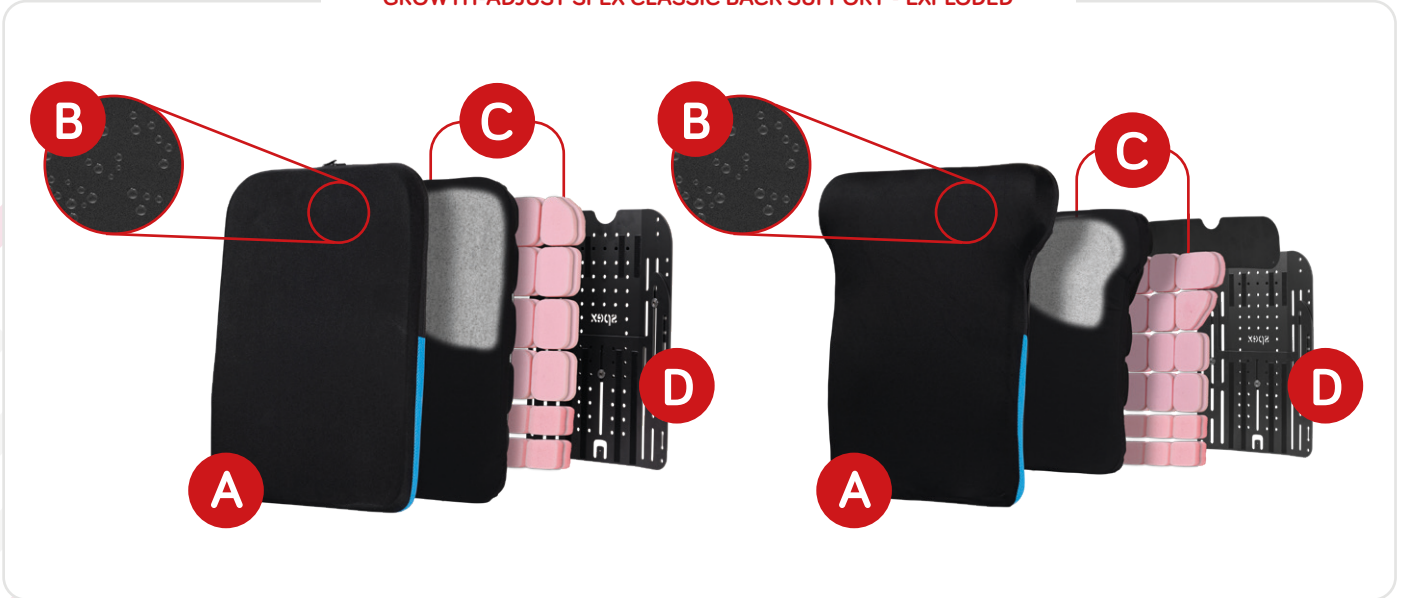
- A** OUTER COVER  
XXXX-XXXX-XXX-C
- B** WIPE-DOWN COVER  
XXXX-XXXX-XXX-W
- C** FOAM INNER  
XXXX-XXXX-XXX-F
- D** SHELL  
XXXX-XXXX-XXX-S

Light orange — Sizes available for Growth-Adjust Back Support - Growth Range 1  
 Dark orange — Sizes available for Growth-Adjust Back Support - Growth Range 2

**IMPORTANT:** Enter the lowest height in growth range to build code.  
 e.g. a height range of 11-15" is 1252-WW11-OGA-X

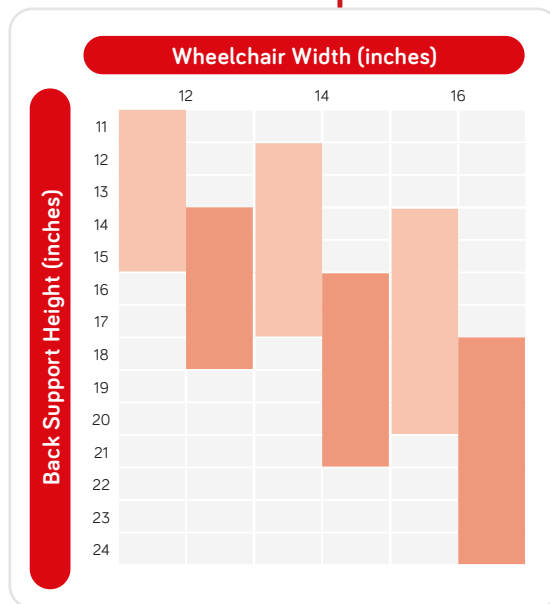
# GROWTH-ADJUST SPEX CLASSIC / T SHAPE

GROWTH-ADJUST SPEX CLASSIC BACK SUPPORT - EXPLODED



## BUILD CODE FOR GROWTH-ADJUST SPEX CLASSIC BACK SUPPORT

1 2 5 5 - W W H H - X G A - X



- A** OUTER COVER  
XXXX-XXXX-XXX-C
- B** WIPE-DOWN COVER  
XXXX-XXXX-XXX-W
- C** FOAM INNER  
XXXX-XXXX-XXX-F
- D** SHELL  
XXXX-XXXX-XXX-S

- O** STANDARD SHAPE  
XXXX-XXXX-0XX-X
- T** T SHAPE  
XXXX-XXXX-TXX-X

**IMPORTANT:** Enter the lowest height in growth range to build code.

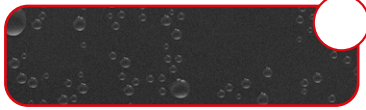
e.g. a height range of 12-17" is 1255-WW12-OGA-X

- Sizes available for Growth-Adjust Back Support - Growth Range 1
- Sizes available for Growth-Adjust Back Support - Growth Range 2

# BACK SUPPORT CUSTOMISATIONS

## CUSTOM FABRIC CHOICES ON COVER

SPEXTEX WATERPROOF PU



SPEXTEX WATERPROOF PU  
(1208-2949-209)

SPEXTEX KNITTED FABRIC



SPEXTEX KNITTED FABRIC  
(1208-2949-219)

MERINO



AIR MESH  
(default)

## COLOURS AVAILABLE

Black  
(default)

Chilli  
1209-2491-022

Mango  
1209-2491-030

Calypso  
1209-2491-028

Royal  
1209-2491-077

Bumblebee  
1209-2491-044

Ocean  
1209-2491-060

Leaf  
1209-2491-054

Granite  
1209-2491-090

## CUSTOM OPTIONS

### CUSTOMISATION

### CODE

### MEASUREMENTS

CUSTOM THICKNESS (UNAVAILABLE FOR COMFI OR AIR-FLOW)	1208-2942-300	_____ mm
½" EXTRA SOFT PRESSURE-RELIEVING FOAM OVERLAY IN FRONT BACK SUPPORT SECTION	1208-2945-300	
30MM SOFT PRESSURE-SENSITIVE FOAM IN FRONT SECTION OF BACK SUPPORT INNER	1209-2346-300	
½" GEL-FOAM IN SPINAL REGION	1208-2947-300	
ENVELOPE COVER ONLY FOR SUPRACOR® INSERT	1208-2951-300	
ENVELOPE COVER WITH SUPRACOR® INSERT	1208-2952-300	

## CONTOURING WEDGES

### CUSTOMISATION

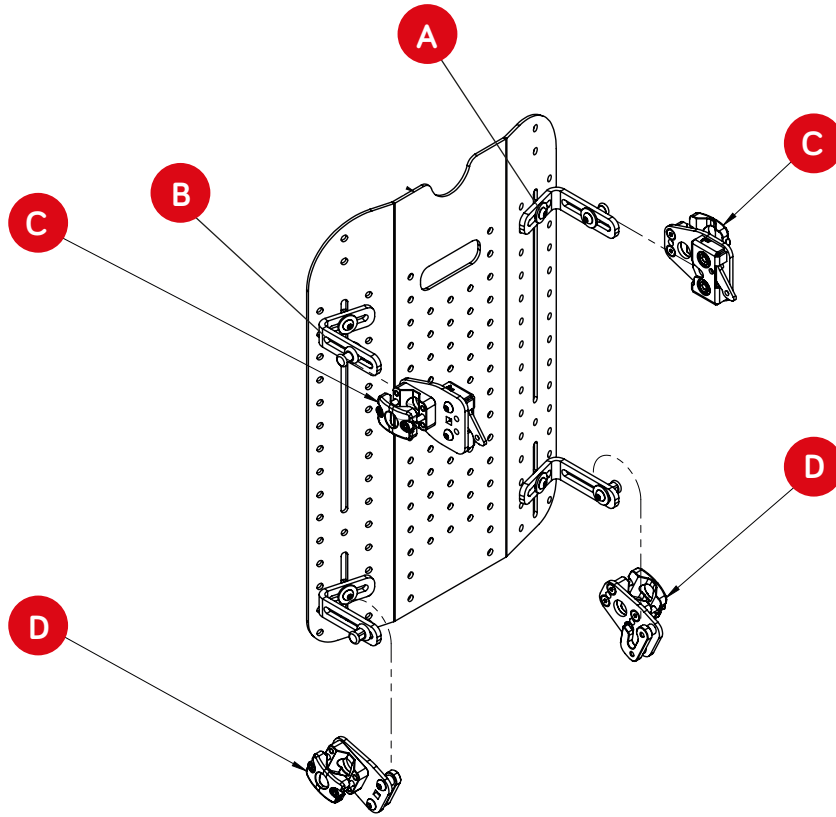
### CODE

### MEASUREMENT/IMAGE

BACK SUPPORT POSTERIOR PELVIC SUPPORT AND LATERAL STABILITY WEDGES	1209-2713-300	
ASYMMETRIC CONTOUR WEDGE KIT (CONTAINS WEDGES BELOW)	1209-2720-300	
ASYMMETRIC DEEP CONTOUR WEDGE (20 HIGH x 20 WIDE x 4 DEEP)	1209-2721-300	
ASYMMETRIC BI-ANGULAR CONTOUR WEDGE (20 HIGH x 10 WIDE x 4 DEEP)	1209-2723-300	
ASYMMETRIC NARROW CONTOUR WEDGE (20 HIGH x 10 WIDE x 4 DEEP)	1209-2722-300	

# QUAD MOUNT HARDWARE

## QUAD MOUNT BACK SUPPORT HARDWARE



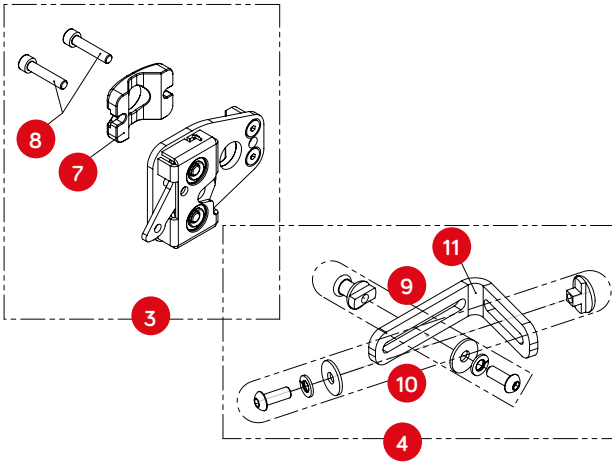
## ORDERING CODES FOR QUAD MOUNT

DESCRIPTION	CODE	#	PER	QTY
T-SLOT ASSEMBLY SET	A-00866	A	4	QTY
4 POINT MOUNTING BRACKET		B	4	QTY
QUAD MOUNT LOWER		C	2	QTY
QUAD MOUNT UPPER		D	2	QTY
QUAD MOUNT COMPLETE SET	1259-2430-100	A + B + C + D	SET	QTY
QUAD MOUNT FOR SECOND CHAIR	1259-2420-100	C + D	SET	QTY
QUAD MOUNT BRACKETS ONLY	1259-2408-100	A + B	SET 4	QTY
QUAD MOUNT ADDITIONAL 2 POINTS OF ATTACHMENT (6 TOTAL) FOR WHEN BACK HEIGHT IS OVER 25" OR FOR EXTRA SECURE ATTACHMENT	1259-2440-100	Top 1/2 B + D	SET 2	QTY
QUAD MOUNT EXTENDED UPGRADE: INCREASE BACK ANGLE BY $\approx 10^\circ$	1259-2450-100		1 PR	QTY
QUAD MOUNT EXTENDED UPGRADE: INCREASE SEAT DEPTH	1259-2452-100		2 PRS	QTY

# QUAD MOUNT HARDWARE (UPPER)

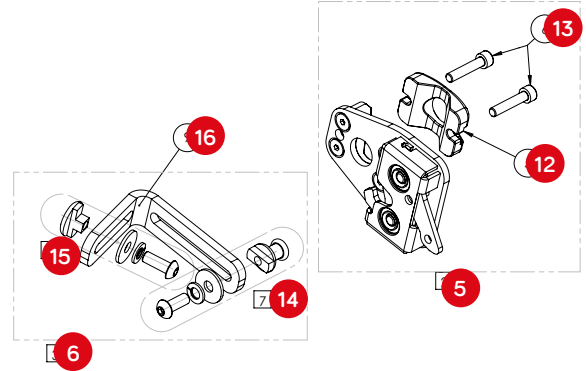
QUAD MOUNT LEFT UPPER

1



QUAD MOUNT RIGHT UPPER

2



## ORDERING CODES FOR QUAD MOUNT

### WHOLE ASSEMBLIES

QUAD MOUNT LEFT UPPER
QUAD MOUNT RIGHT UPPER

### CODE

-
-

### #

1
2

### PER

1
1

QTY
QTY

### SUB ASSEMBLIES

LEFT QUICK RELEASE
QUAD MOUNT BRACKET
RIGHT QUICK RELEASE
QUAD MOUNT BRACKET

### CODE

A-00085
A-00524
A-00084
A-00524

### #

3
4
5
6

### PER

1
1
1
1

QTY
QTY
QTY
QTY

### COMMON PARTS/SETS

30 CLAMP
M5 x 25 CAP SCREW
LOCKING PEG SET
6MM T NUT SET
QUAD MOUNT BRACKET SINGLE
30 CLAMP
M5 x 25 CAP SCREW
LOCKING PEG SET
6MM T NUT SET
QUAD MOUNT BRACKET SINGLE

### CODE

P-00292
0052-4CS0-M5X25BK
A-00892
A-00866
P-00388
P-00292
0052-4CS0-M5X25BK
A-00892
A-00866
P-00388

### #

7
8
9
10
11
12
13
14
15
16

### PER

1
2
1
1
1
1
2
1
1
1

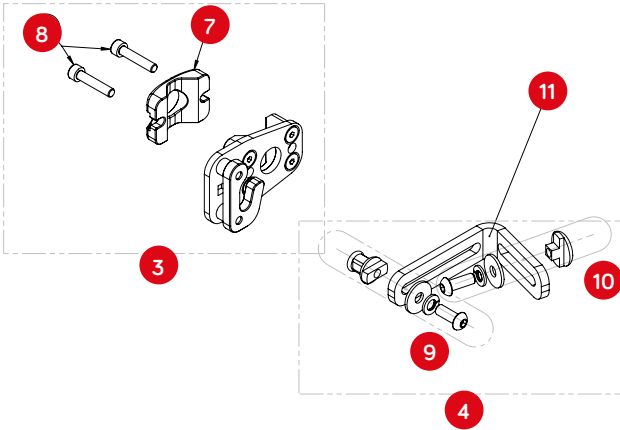
QTY
QTY
QTY
QTY
QTY
QTY
QTY
QTY
QTY
QTY



# QUAD MOUNT HARDWARE (LOWER)

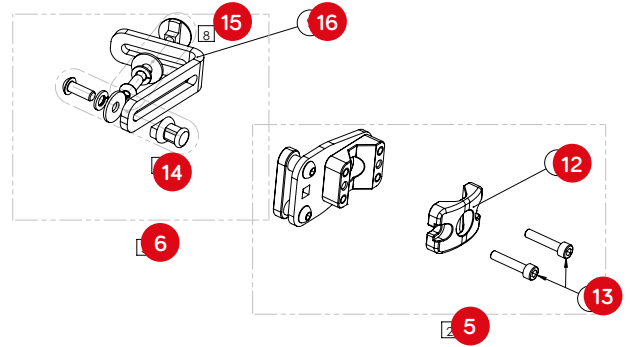
QUAD MOUNT LEFT LOWER

1



QUAD MOUNT RIGHT LOWER

2



## ORDERING CODES FOR QUAD MOUNT

### WHOLE ASSEMBLIES

QUAD MOUNT LEFT LOWER	-
QUAD MOUNT RIGHT LOWER	-

### CODE

-
-

### # PER

1	1	QTY
2	1	QTY

### SUB ASSEMBLIES

LEFT QUAD HOOK
QUAD MOUNT LOWER
RIGHT QUAD HOOK
QUAD MOUNT LOWER

### CODE

A-00088
A-00525
A-00089
A-00525

### # PER

3	1	QTY
4	1	QTY
5	1	QTY
6	1	QTY

### COMMON PARTS/SETS

30 CLAMP
M5 x 25 CAP SCREW
ANTI TILT PEG SET
6MM T NUT SET
QUAD MOUNT BRACKET SINGLE
30 CLAMP
M5 x 25 CAP SCREW
ANTI TILT PEG SET
6MM T NUT SET
QUAD MOUNT BRACKET SINGLE

### CODE

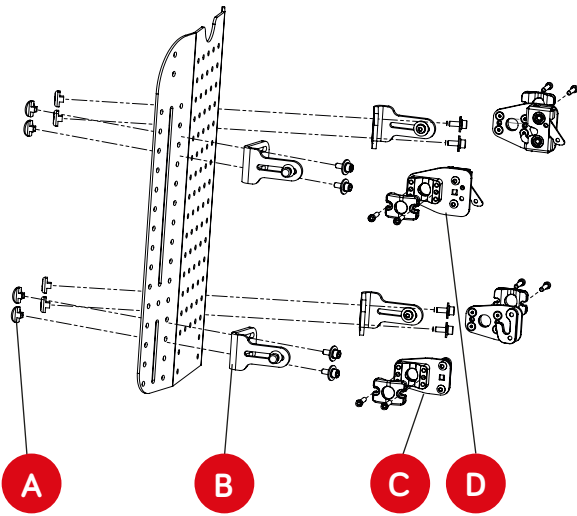
P-00292
0052-4CS0-M5X25BK
A-00892
A-00866
P-00388
P-00292
0052-4CS0-M5X25BK
A-00892
A-00866
P-00388

### # PER

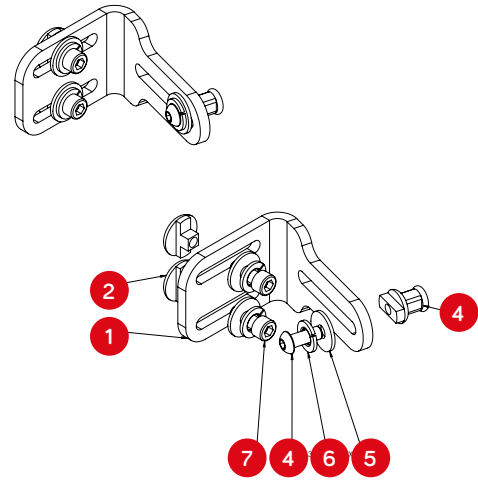
7	1	QTY
8	2	QTY
9	1	QTY
10	1	QTY
11	1	QTY
12	1	QTY
13	2	QTY
14	1	QTY
15	1	QTY
16	1	QTY

# HEAVY DUTY QUAD MOUNT

## HEAVY DUTY QUAD MOUNT OVERVIEW



## SUB - ASSEMBLIES



## ORDERING CODES FOR QUAD MOUNT

### SUB ASSEMBLIES

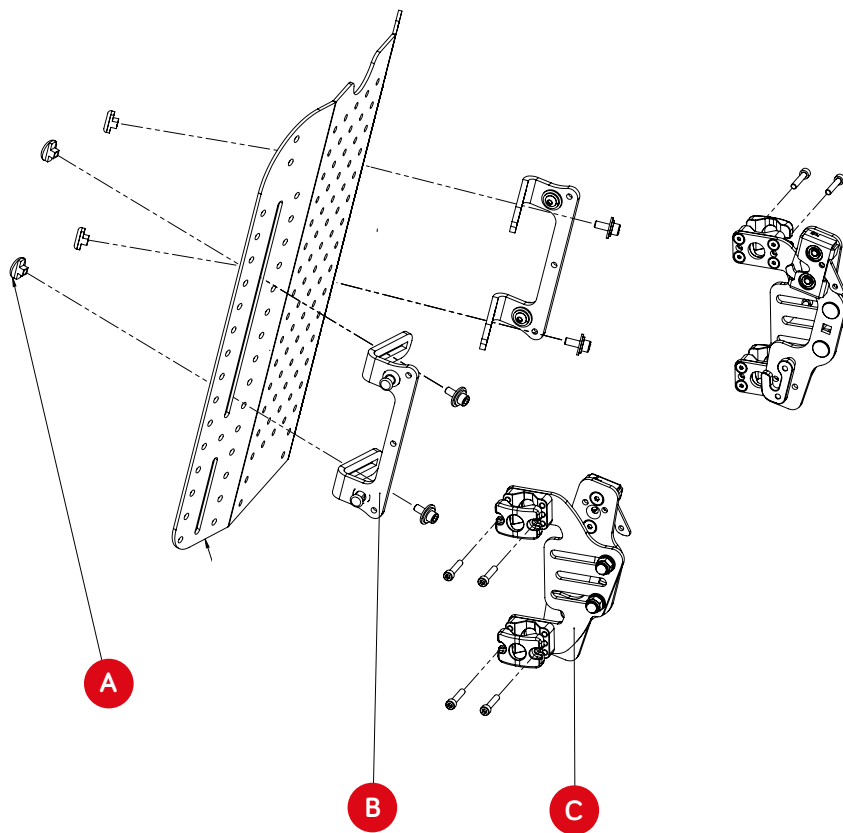
	CODE	PER	
HEAVY DUTY QUAD MOUNT COMPLETE SET <b>A + B + C + D</b>	1259-2435-100	SET	QTY
HEAVY DUTY QUAD MOUNT BRACKETS ONLY <b>A + B</b>	1259-2438-100	SET	QTY

### COMMON PARTS/SETS

	CODE	#	PER	
4 POINT BRACKET DOUBLE	P-02552	1	1	QTY
SLOT T-NUT	P-00391	2	2	QTY
TILT LOCKING PEG	P-00481	3	1	QTY
BUTTON CAP SCREW M6 x 16 S/S (BLACK FEROPHOS COAT)	0052-3BCS-M6X16BK	4	3	QTY
WASHER FLAT M6 x 19 x 2mm S/S BLACK COATED	0057-0LFT-M6X19X2BK	5	3	QTY
WASHER SPRING M6 S/S BLACK COATED	0057-0SPR-SSM6BK	6	3	QTY

# DUAL MOUNT HARDWARE

## DUAL MOUNT BACK SUPPORT HARDWARE



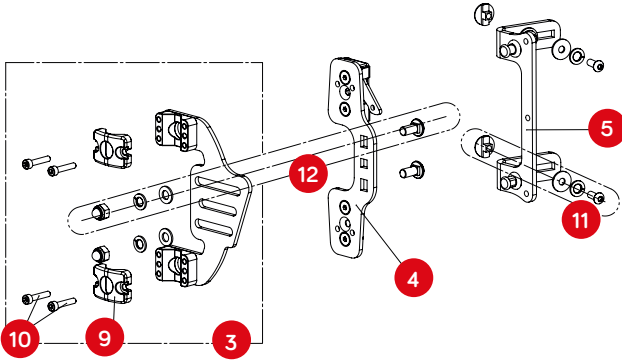
## ORDERING CODES FOR QUAD MOUNT

DESCRIPTION	CODE	#	PER	QTY
T-SLOT ASSEMBLY SET	A-00866	A	4	QTY
2 POINT MOUNTING BRACKET		B	2	QTY
DUAL MOUNT HARDWARE		C	2	QTY
DUAL MOUNT COMPLETE SET A + C + D	1259-2230-100		SET	QTY
DUAL MOUNT FOR SECOND CHAIR D	1259-2220-100		SET	QTY

# DUAL MOUNT HARDWARE (CONTINUED)

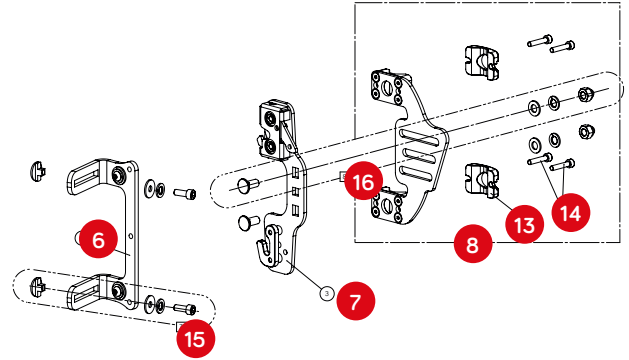
DUAL MOUNT LEFT

1



DUAL MOUNT RIGHT

2



## ORDERING CODES FOR DUAL MOUNT

### WHOLE ASSEMBLIES

	CODE	#	PER	QTY
DUAL MOUNT LEFT	A-00889	1	1	QTY
DUAL MOUNT RIGHT	A-00890	2	1	QTY

### SUB ASSEMBLIES

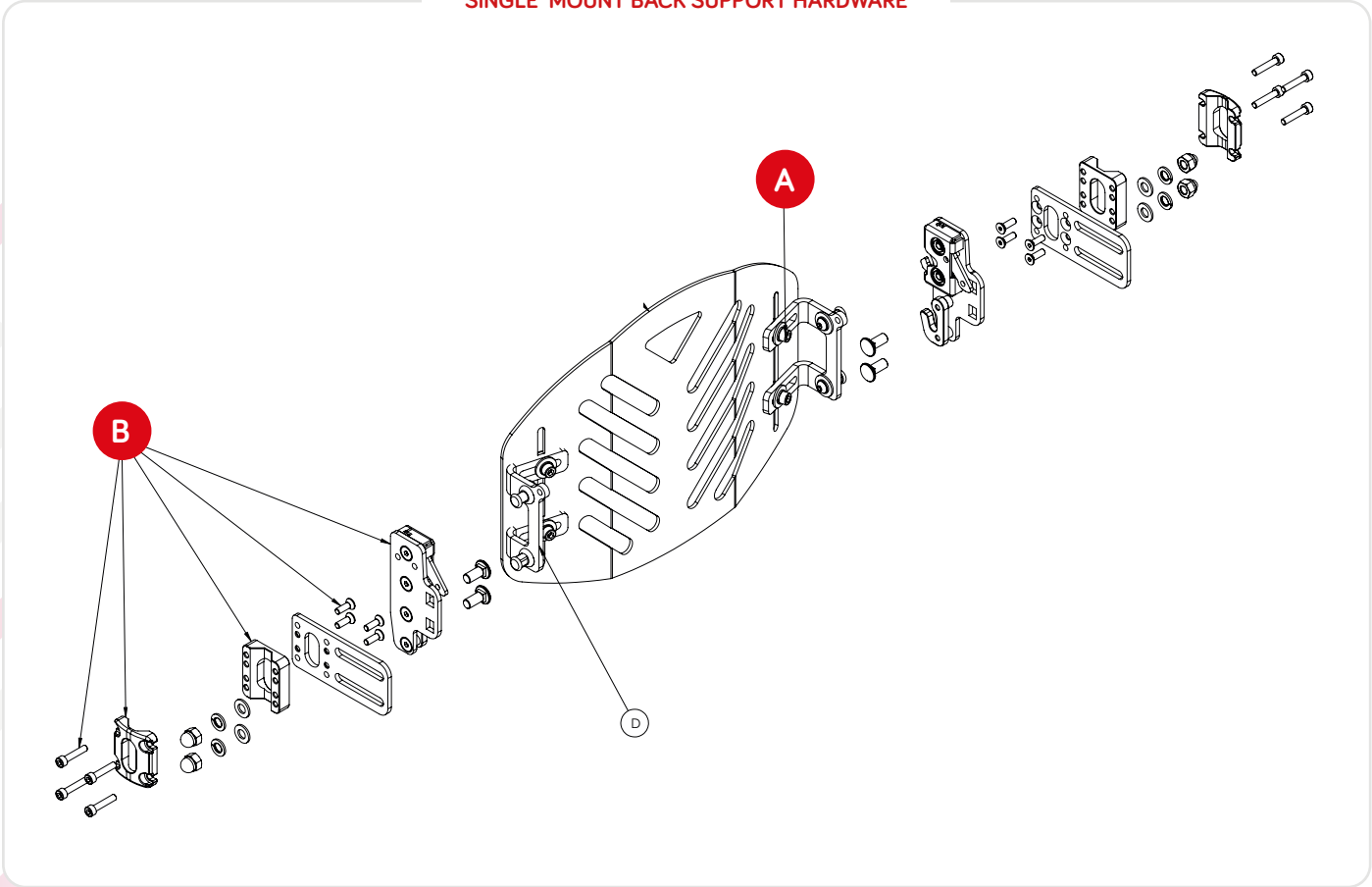
	CODE	#	PER	QTY
CLAMP BRACKET	A-00115	3	1	QTY
CATCH BRACKET	A-00114	4	1	QTY
PIN BRACKET	A-00117	5	1	QTY
PIN BRACKET	A-00115	6	1	QTY
CATCH BRACKET	A-00113	7	1	QTY
CLAMP BRACKET	A-00112	8	1	QTY

### COMMON PARTS/SETS

	CODE	#	PER	QTY
OUTER CLAMP SMALL	P-00292	9	1	QTY
M5 x 25 CAP SCREW	0052-4CS0-M5X25BK	10	2	QTY
6MM T NUT SET	A-00866	11	1	QTY
M8 SQUARE NUT SET	A-00867	12	1	QTY
OUTER CLAMP SMALL	P-00388	13	1	QTY
M5 x 25 CAP SCREW	0052-4CS0-M5X25BK	14	2	QTY
6MM T NUT SET	A-00866	15	1	QTY
M8 SQUARE NUT SET	A-00867	16	1	QTY

# SINGLE MOUNT HARDWARE

## SINGLE MOUNT BACK SUPPORT HARDWARE



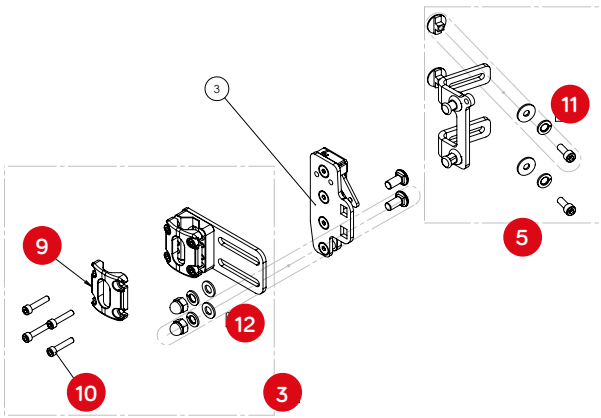
## ORDERING CODES FOR SINGLE MOUNT

DESCRIPTION	CODE	#	PER
T-SLOT ASSEMBLY SET	A-00866	A	4 QTY
SINGLE MOUNT ASSEMBLY		B	2 QTY
SINGLE MOUNT BRACKET		C	2 QTY
SINGLE MOUNT COMPLETE SET <b>A + B + C</b>	1259-2130-100		SET QTY
SINGLE MOUNT FOR SECOND CHAIR <b>B</b>	1259-2120-100		SET QTY

# SINGLE MOUNT HARDWARE (CONTINUED)

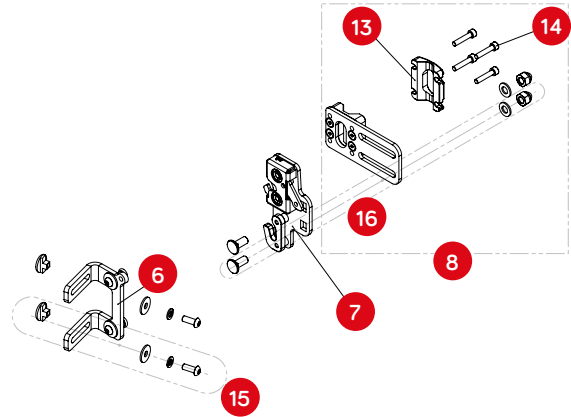
SINGLE MOUNT LEFT

1



SINGLE MOUNT RIGHT

2



## ORDERING CODES FOR DUAL MOUNT

**WHOLE ASSEMBLIES**

SINGLE MOUNT LEFT	-
SINGLE MOUNT RIGHT	-

**CODE**

**#**

**PER**

-	1	1	QTY
-	2	1	QTY

**SUB ASSEMBLIES**

SINGLE MOUNT ASSEMBLY
BACKREST MOUNT LEFT
SINGLE MOUNT BRACKET LEFT
SINGLE MOUNT BRACKET RIGHT
BACKREST MOUNT RIGHT
SINGLE MOUNT ASSEMBLY

**CODE**

**#**

**PER**

A-00129	3	1	QTY
A-00121	4	1	QTY
A-01032	5	1	QTY
A-01031	6	1	QTY
A-00128	7	1	QTY
A-00129	8	1	QTY

**COMMON PARTS/SETS**

50MM CLAMP
M5 x 25 CAP SCREW
6MM T NUT SET
M8 SQUARE NUT SET
50MM CLAMP
M5 x 25 CAP SCREW
6MM T NUT SET
M8 SQUARE NUT SET

**CODE**

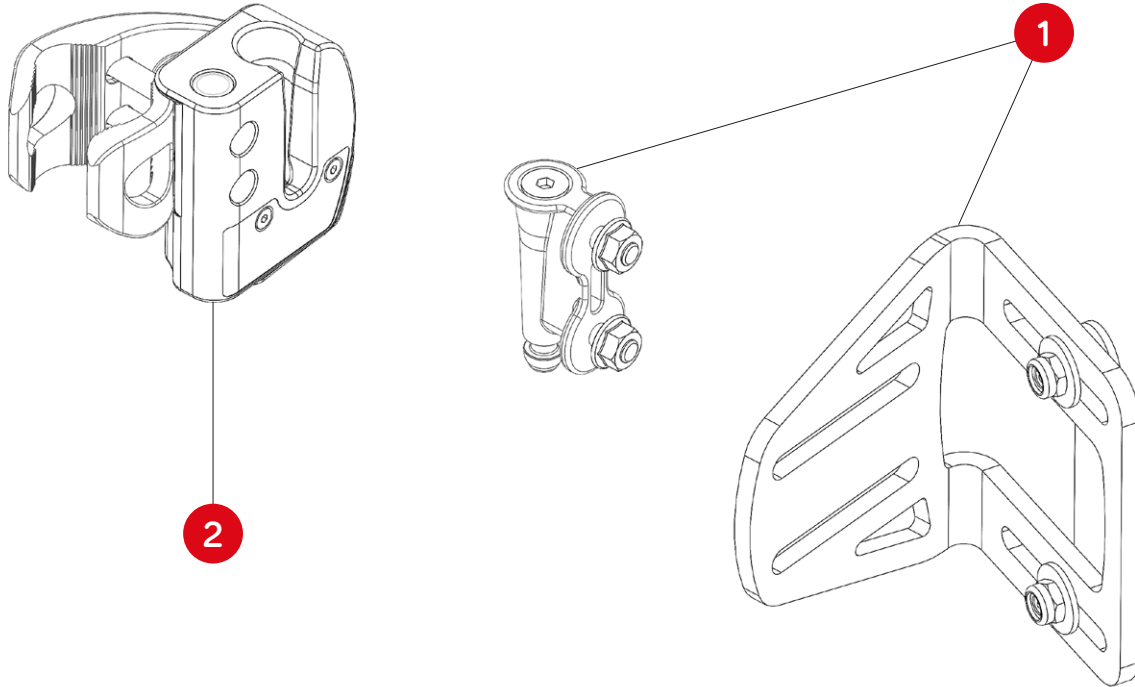
**#**

**PER**

P-00469	9	1	QTY
0052-4CS0-M5X25BK	10	4	QTY
A-00866	11	1	QTY
A-00867	12	1	QTY
P-00469	13	1	QTY
0052-4CS0-M5X25BK	14	4	QTY
A-00866	15	1	QTY
A-00867	16	1	QTY

# DROP MOUNT HARDWARE

## DROP MOUNT BACK SUPPORT HARDWARE



## ORDERING CODES FOR DROP MOUNT

### WHOLE ASSEMBLIES

PAEDIATRIC
SMALL
MEDIUM
LARGE

CODE	#	PER	QTY
1259-1400-00P	/	2	QTY
1259-1400-00S	/	2	QTY
1259-1400-00M	/	2	QTY
1259-1400-00L	/	2	QTY

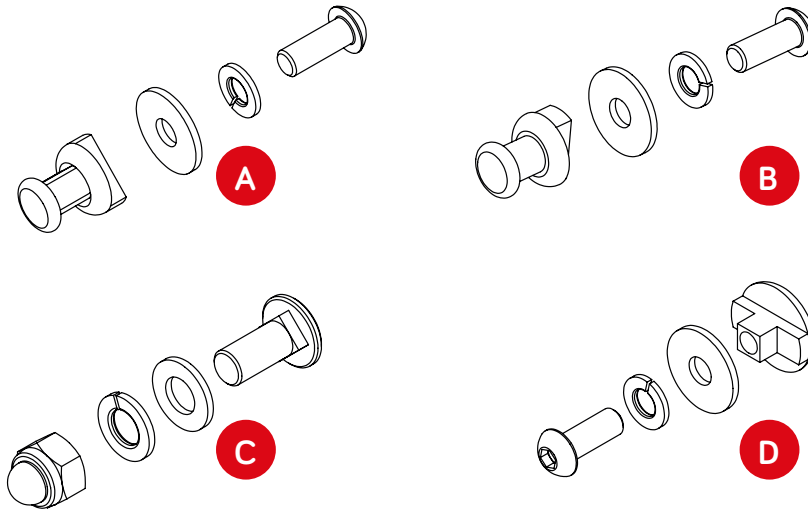
### SUB ASSEMBLIES

BRACKETS AND PINS - PAEDIATRIC
BRACKETS AND PINS - SMALL
BRACKETS AND PINS - MEDIUM
BRACKETS AND PINS - LARGE
Drop Mount Receivers

CODE	#	PER	QTY
1259-1410-00P	1	1	QTY
1259-1410-00S	1	1	QTY
1259-1410-00M	1	1	QTY
1259-1410-00L	1	1	QTY
1259-1410-000	2	1	QTY

# BACK SUPPORT FASTENERS

## FASTENER KIT

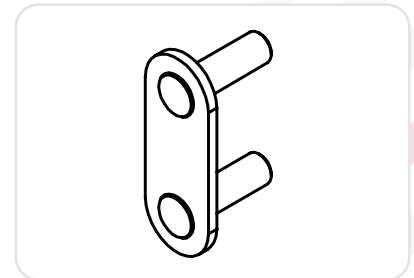


## ORDERING CODES FOR FASTENER KIT

DESCRIPTION	CODE	#	PER	QTY
ANTI-TILT LOCKING PEG SET	A-01106	A	EA	QTY
LOCKING PEG SET	A-00892	B	EA	QTY
SQUARE NECK BOLT SET	A-00867	C	EA	QTY
T-SLOT ASSEMBLY SET	A-00866	D	EA	QTY

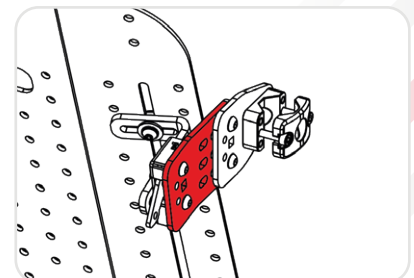
## ORDERING CODES FOR FIXING STUDS

DESCRIPTION	CODE	QTY
16MM FIXING STUD	1258-0030-100	QTY
20MM FIXING STUD	1258-0031-100	QTY
25 MM FIXING STUD	1258-0032-100	QTY



## QUAD MOUNT EXTENSIONS FOR EXISTING HARDWARE

DESCRIPTION	CODE	QTY
QUAD MOUNT EXTENDED UPGRADE FOR EXISTING HARDWARE TO INCREASE BACK ANGLE BY ≈10°	1259-2451-100	QTY
QUAD MOUNT EXTENDED UPGRADE FOR EXISTING HARDWARE TO INCREASE SEAT DEPTH	1259-2453-100	QTY





# LATERAL TRUNK SUPPORT PADS

PAD WITH STD COVER



NARROW STRAIGHT

PAD WITH COMFY COVER



NARROW CURVED

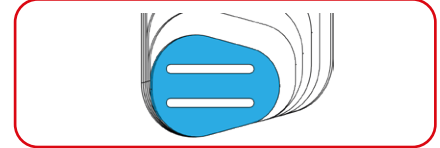
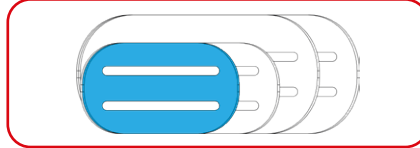
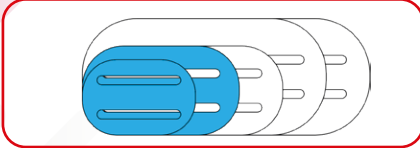
STD COVER ONLY



COMFY COVER ONLY



BROAD



## BUILD CODE FOR LATERAL TRUNK SUPPORT PAD & COVER

1 2 6 6 - 3 X X X - X 0 0

**NARROW STRAIGHT**  
XXXX-XX**1**X-XXX

**NARROW CURVED**  
XXXX-XX**2**X-XXX

**BROAD**  
XXXX-XX**3**X-XXX

**PAD WITH STD COVER**  
XXXX-X**0**XX-**4**XX

**PAD WITH COMFY COVER**  
XXXX-X**0**XX-**8**XX

**STD COVER ONLY**  
**1267-X6XX-6XX**

**COMFY COVER ONLY**  
**1267-X6XX-8XX**

**NARROW STRAIGHT 0** **0**  
85mm H x 115mm D

**NARROW STRAIGHT 1** **1**  
95mm H x 145mm D

**NARROW STRAIGHT 2** **2**  
95mm H x 180mm D

**NARROW STRAIGHT 3** **3**  
115mm H x 210mm D

**NARROW STRAIGHT 4** **4**  
115mm H x 240mm D

**NARROW CURVED 1** **1**  
95mm H x 145mm D

**NARROW CURVED 2** **2**  
95mm H x 180mm D

**NARROW CURVED 3** **3**  
115mm H x 210mm D

**NARROW CURVED 4** **4**  
115mm H x 240mm D

**BROAD 1** **1**  
105mm H x 130mm D

**BROAD 2** **2**  
125mm H x 140mm D

**BROAD 3** **3**  
140mm H x 150mm D

**BROAD 4** **4**  
160mm H x 155mm D

**BROAD 5** **5**  
195mm H x 165mm D

**BROAD 6** **6**  
230mm H x 175mm D

## CUSTOM OPTIONS

### DESCRIPTION

### CODE

SMALL STRAP - PAEDIATRIC SWING AWAY BRACKET	1267-3851-800	QTY
MEDIUM STRAP - REGULAR SWING-AWAY & AXIAL PAEDIATRIC BRACKET	1267-3852-800	QTY
LARGE STRAP - AXIAL BRACKET	1267-3853-800	QTY

### FABRIC CUSTOM OPTIONS

### CODE

DUAL LAYER ANTI-SHEAR FABRIC ON INTERNAL FACE	1261-3849-286	QTY
SPEXTEX - WIPE DOWN & WATERPROOF	1261-3849-209	QTY
SPEXTEX - KNITTED SIDE FABRIC FINISH	1261-3849-219	QTY

### OTHER CUSTOM OPTIONS

### CODE

½" PRESSURE RELIEVING OVERLAY - INTERNAL/TOP SURFACE	1261-3846-400	QTY
½" GEL-FOAM OVERLAY - INTERNAL/TOP SURFACE	1261-3847-400	QTY
NEOPRENE SLEEVE TO PROTECT HARDWARE	1261-3848-400	QTY
OTHER CUSTOMISATIONS	1261-5839-400	

# LATERAL TRUNK SUPPORT HARDWARE

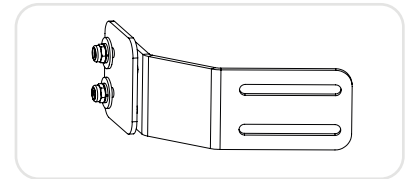
## FIXED BRACKET

### DESCRIPTION

FIXED
PAEDIATRIC FIXED

### CODE

1266-2101-100	QTY
1266-2111-100	QTY



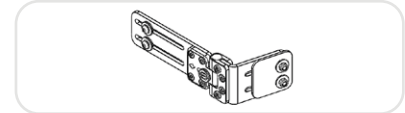
## STANDARD SWING-AWAY

### COMPLETE LATERAL ASSEMBLIES

SWING AWAY, STRAIGHT
SWING AWAY, STRAIGHT EXTEND
SWING AWAY, OFFSET 20MM
SWING-AWAY, OFFSET 40MM

### CODE

1266-2201-100	QTY
1266-2202-100	QTY
1266-2203-100	QTY
1266-2204-100	QTY

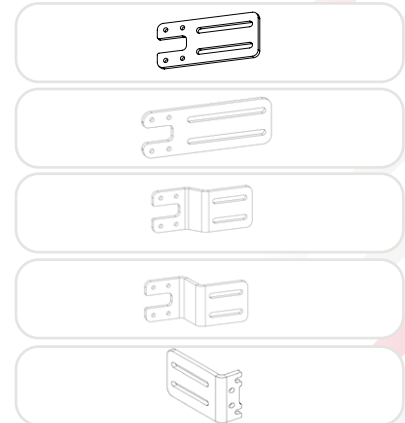


### LATERAL BRACKET COMPONENTS

STRAIGHT BRACKET
PAEDIATRIC STRAIGHT BRACKET
STRAIGHT EXTENDED BRACKET
OFFSET 20MM BRACKET
PAEDIATRIC OFFSET 15MM BRACKET
OFFSET 40MM
BACK MOUNT BRACKET
PAEDIATRIC BACK MOUNT BRACKET

### CODE

1267-1001-100	QTY
1267-1011-100	QTY
1267-1002-100	QTY
1267-1003-100	QTY
1267-1013-100	QTY
1267-1004-100	QTY
1267-1100-100	QTY
1267-1110-100	QTY



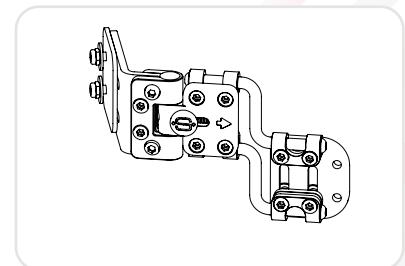
## SWING AWAY AXIAL

### DESCRIPTION

AXIAL
PAEDIATRIC SWING AWAY AXIAL
PAEDIATRIC AXIAL CANE MOUNT - LEFT
PAEDIATRIC AXIAL CANE MOUNT - RIGHT

### CODE

1266-2301-100	QTY
1266-2623-400	QTY
1266-2623-300-L	QTY
1266-2623-300-R	QTY



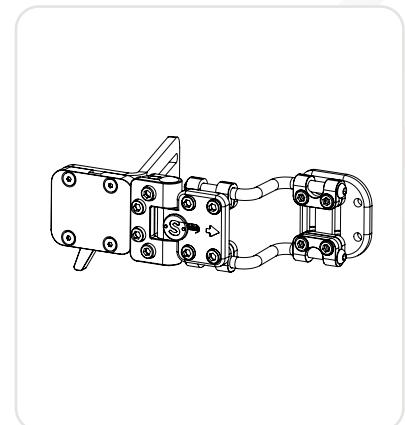
## QUICK-RELEASE

### DESCRIPTION

BACK MOUNT FIXED ANGLE - LEFT
BACK MOUNT FIXED ANGLE - RIGHT
CANE MOUNT FIXED ANGLE - LEFT
CANE MOUNT FIXED ANGLE - RIGHT
BACK MOUNT, SWING-AWAY, ANGLE ADJUSTMENT - LEFT
BACK MOUNT, SWING-AWAY, ANGLE ADJUSTMENT - RIGHT
CANE MOUNT, SWING-AWAY, ANGLE ADJUSTMENT - LEFT
CANE MOUNT, SWING-AWAY, ANGLE ADJUSTMENT - RIGHT

### CODE

1266-2601-100-L	QTY
1266-2601-100-R	QTY
1266-2601-200-L	QTY
1266-2601-200-R	QTY
1266-2621-100-L	QTY
1266-2621-100-R	QTY
1266-2621-200-L	QTY
1266-2621-200-R	QTY

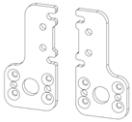


# LATERAL TRUNK SUPPORT HARDWARE (CONTINUED)

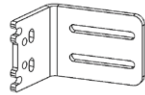
## BRACKET UPGRADE OPTIONS - PAEDIATRIC OPTIONS LIMITED

DESCRIPTION	CODE	AVAILABLE FOR:			QTY
		FIXED	S/AWAY	AXIAL	
LEFT CANE MOUNT	1266-2411-100	✗	✓	✓	QTY
RIGHT CANE MOUNT	1266-2412-100	✗	✓	✓	QTY
REINFORCEMENT PLATE FOR FORCEFUL SIDE LEANING OR CLIENTS OVER 100KG	1266-2450-100	✓	✓	✓	QTY
DEEP CONTOUR BRACKET KIT (EXTENDS DEPTH BY 30MM)	1266-2420-100	✗	✓	✓	QTY
DEEP CONTOUR EXTENDED BRACKET (EXTENDS DEPTH UP TO 115MM USED WITH SUPERSHAPE WITH EXTENSIVE CONTOURING)	1266-2430-100	✗	✓	✓	QTY
SWING-AWAY LATERAL EXTENDER BRACKET KIT (EXTENDS DEPTH UP TO 40MM)	1266-2444-100	✗	✓	✓	QTY
EXTENDER KIT FOR PAEDIATRIC SWING-AWAY LATERAL (COMPATIBLE WITH 1266-2623-400 ONLY)	1266-2440-100	✗	✓	✓	QTY

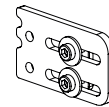
**Cane Mounts**



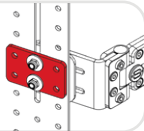
**Deep Contour Extended Bracket**



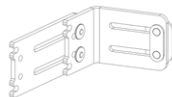
**Extender Kit for Paediatric Swing-Away Lateral**



**Reinforcement Plate**



**Paediatric Lateral Extender**



# BIANGULAR LATERAL TRUNK SUPPORT

## HARDWARE

### DESCRIPTION

### CODE

AXIAL HARDWARE

1266-2501-100

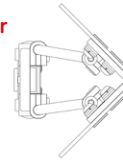
QTY

HINGE PLATE

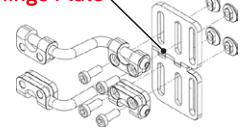
1266-2511-100

QTY

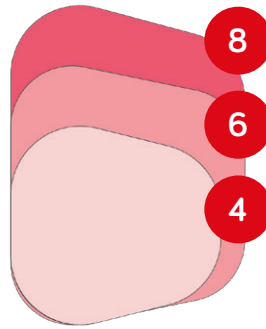
Axial Biangular Bracket



Hinge Plate



## BIANGULAR PAD SIZING OPTIONS



## BUILD CODE FOR BIANGULAR LATERAL PAD

1 2 6 6 - 2 5 4 X - X 0 0

**STANDARD AXIAL 4** 4  
165mm H x 175mm D

**STANDARD AXIAL 6** 6  
215mm H x 195mm D

**STANDARD AXIAL 8** 8  
265mm H x 195mm D

**AXIAL PRESSURE REDUCTION 4** 4  
165mm H x 175mm D

**AXIAL PRESSURE REDUCTION 6** 6  
215mm H x 195mm D

**AXIAL PRESSURE REDUCTION 8** 8  
265mm H x 195mm D

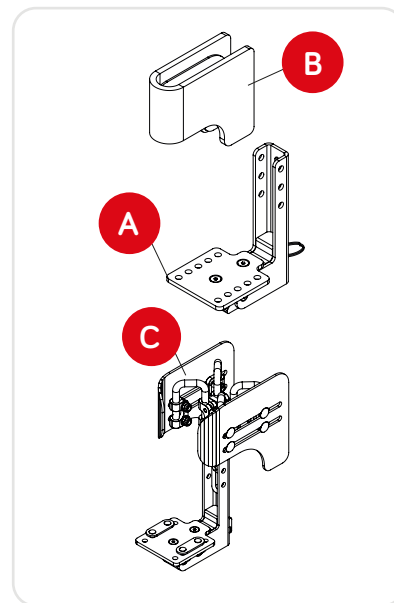
**PAD WITH STD COVER**  
XXXX-XXXX-8XX

**PAD WITH COMFY COVER**  
XXXX-XXXX-4XX

# MEDIAL THIGH SUPPORT

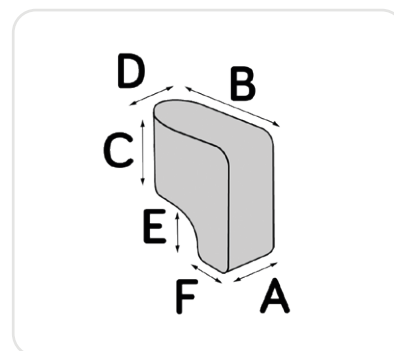
## BRACKET COMPONENTS

DESCRIPTION	#	CODE	QTY
SWING-DOWN, LIFT OFF MECHANISM ONLY	A	1162-1510-100	QTY
STANDARD PAD - SIZE 1	B	1162-1531-400	QTY
STANDARD PAD - SIZE 2	B	1162-1532-400	QTY
STANDARD PAD - SIZE 3	B	1162-1533-400	QTY
STAND PAD - COVER ONLY - SIZE 1	B	1162-1541-600	QTY
STAND PAD - COVER ONLY - SIZE 2	B	1162-1542-600	QTY
STAND PAD - COVER ONLY - SIZE 3	B	1162-1543-600	QTY
AXIAL ADJUST PAD - SIZE 1	C	1162-1631-400	QTY
AXIAL ADJUST PAD - SIZE 2	C	1162-1632-400	QTY
AXIAL ADJUST PAD - SIZE 3	C	1162-1633-400	QTY
AXIAL ADJUST PAD - COVER ONLY - SIZE 1	C	1162-1641-600	QTY
AXIAL ADJUST PAD - COVER ONLY - SIZE 2	C	1162-1642-600	QTY
AXIAL ADJUST PAD - COVER ONLY - SIZE 3	C	1162-1643-600	QTY



## SIZING (mm)

DIMENSIONS	SIZE	A	B	C	D	E	F
STANDARD PAD	1	60	145	95	40	40	65
	2	60	155	100	60	50	65
	3	60	185	105	60	60	75
AXIAL ADJUST PAD	1	70 - 140	145	95	50 - 120	40	65
	2	70 - 140	155	100	60 - 140	50	65
	3	70 - 160	185	105	60 - 140	60	75

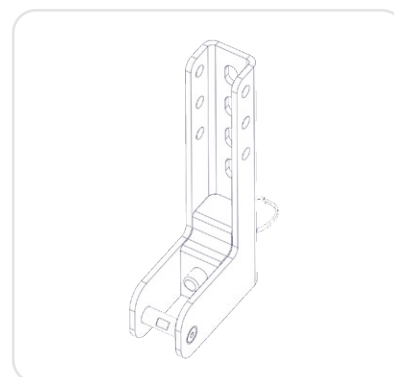


## CUSTOM OPTIONS

DESCRIPTION	CODE	PER	QTY
SPEXTEX - WIPE DOWN & WATERPROOF FINISH FOR STANDARD PAD ONLY	1160-1579-209	EA	QTY
SPEXTEX - KNITTED SIDE FABRIC FINISH FOR STANDARD PAD ONLY	1160-1579-219	EA	QTY
GLIDEWEAR ANTI-SHEAR FABRIC	1160-1579-295	EA	QTY
1/2" PRESSURE RELIEVING OVERLAY	1160-1576-000	EA	QTY
1/2" GEL-FOAM OVERLAY	1160-1577-000	EA	QTY

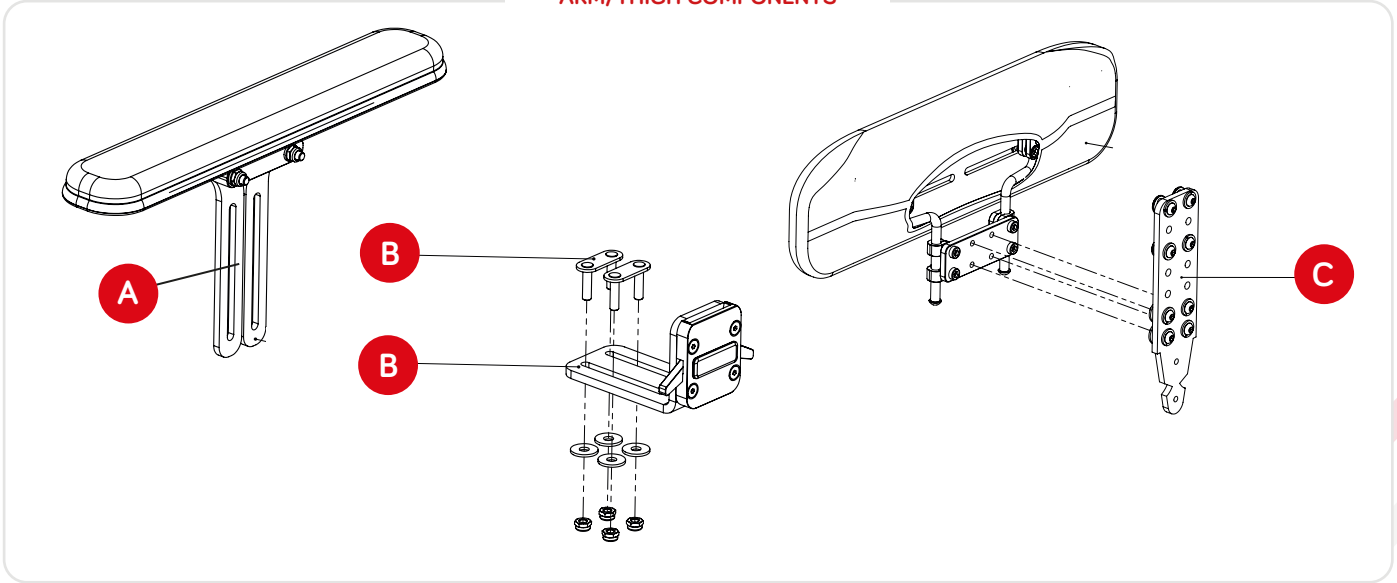
## DROP DOWN BRACKET

DESCRIPTION	CODE	QTY
SWING-DOWN/LIFT OFF BRACKET	1162-1515-100	QTY

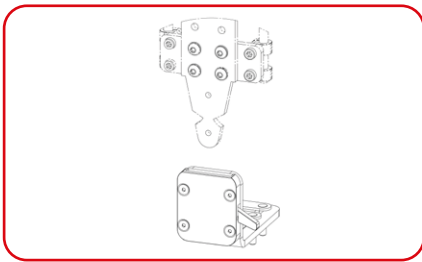


# ARM/THIGH SUPPORT HARDWARE

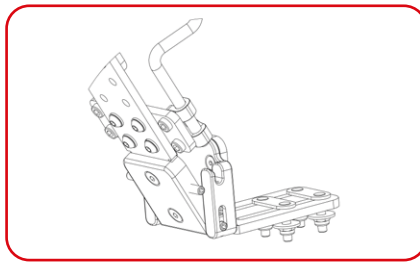
## ARM/THIGH COMPONENTS



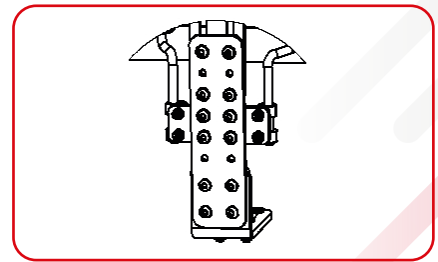
### QUICK RELEASE



### SWING DOWN



### FIXED MOUNT



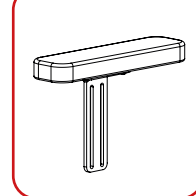
### (A) ARM PLATFORMS

#### DESCRIPTION

#### CODE

FIXED ARM PLATFORM	1156-0100-000	QTY
FIXED PAEDIATRIC ARM PLATFORM	1156-0200-000	QTY
ANGLE-ADJUST ARM PLATFORM	1156-0300-000	QTY

### FIXED ARM



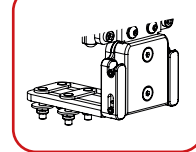
### ANGLE ADJUST



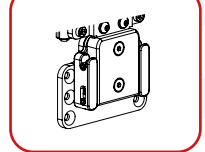
### (B) MOUNTS

DESCRIPTION	QUICK RELEASE	SWING DOWN	FIXED MOUNT	QTY
SEAT PAN	1156-0000-110	1156-0000-120	1156-0000-130	QTY
SEAT RAIL	1156-0000-210	1156-0000-220	1156-0000-230	QTY

### SEAT PAN



### SEAT RAIL



### (C) THIGH PLATFORMS

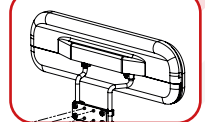
#### DESCRIPTION

#### QR & SWING DOWN

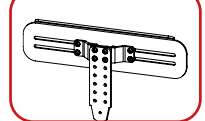
#### FIXED MOUNT

FIXED THIGH PLATFORM FOR THIGH SUPPORT ONLY	1156-0012-000	1156-0022-000	QTY
FIXED THIGH PLATFORM FOR COMBO ARM/THIGH SUPPORT	1156-0032-000	1156-0042-000	QTY
AXIAL THIGH PLATFORM FOR THIGH SUPPORT ONLY	1156-0011-000	1156-0021-000	QTY
AXIAL THIGH PLATFORM FOR COMBO ARM/THIGH SUPPORT	1156-0031-000	1156-0041-000	QTY

### AXIAL THIGH

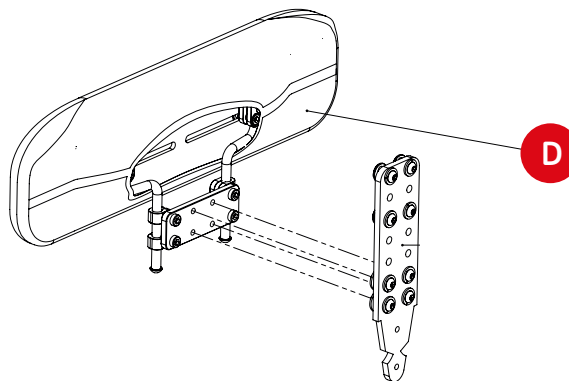
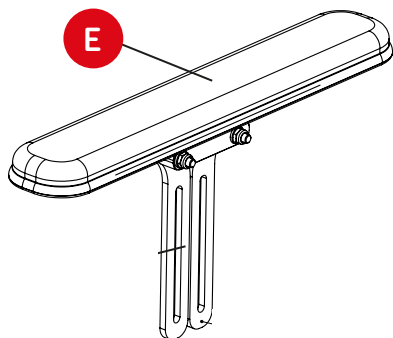


### FIXED THIGH



# THIGH SUPPORT PAD COVERS

## ARM/THIGH COMPONENTS



## BUILD CODE FOR ARM OR THIGH PAD COVERS

1 1 5 6 - X X X X - X X X

### D THIGH SUPPORT PAD COVERS

<b>10" PAD COVER</b> 260mm L x 90mm H	<b>1010-600</b>
<b>12" PAD COVER</b> 310mm L x 90mm H	<b>1012-600</b>
<b>14" PAD COVER</b> 360mm L x 125mm H	<b>1014-600</b>
<b>16" PAD COVER</b> 410mm L x 140mm H	<b>1016-600</b>
<b>18" PAD COVER</b> 450mm L x 140mm H	<b>1018-600</b>
<b>20" PAD COVER</b> 510mm L x 160mm H	<b>1020-600</b>

### E ARM SUPPORT PAD COVERS

<b>1 NARROW</b> 40mm W x 250mm H	<b>5861-410</b>
<b>2 NARROW</b> 50mm W x 300mm H	<b>5862-410</b>
<b>3 NARROW</b> 60mm W x 350mm H	<b>5863-410</b>
<b>1 WIDE</b> 70mm W x 250mm H	<b>5871-410</b>
<b>2 WIDE</b> 80mm W x 300mm H	<b>5872-410</b>
<b>3 WIDE</b> 90mm W x 350mm H	<b>5873-410</b>

### CUSTOM THIGH SUPPORT PAD COVERS

1156-1029-600 - RESTRICTIONS APPLY

WW =  HH =

### CUSTOM ARM SUPPORT PAD COVERS

1156-5879-410 - RESTRICTIONS APPLY

WW =  HH =

## THIGH SUPPORT FABRIC CUSTOMISATIONS

### CUSTOMISATION

### CODE

SPEXTEX - WIPEDOWN & WATERPROOF FINISH	1153-1149-209	QTY
SPEXTEX - KNITTED SIDE FABRIC FINISH	1153-1149-219	QTY
DUAL LAYER ANTI SHEAR FABRIC - INTERNAL FACE	1153-1149-286	QTY

# HEAD SUPPORT PADS



CIRCLE PAD



COMFORT PAD



CONTOUR PAD



STANDARD LATERAL PAD



EXTENDED LATERAL PAD



ADJUSTABLE LATERAL PAD

## BUILD CODE FOR HEAD SUPPORT COVER

1 2 7 5 - 0 X X X - X 0 0

**PAD & COVER**  
XXXX-X3XX-3XX

**COVER ONLY**  
XXXX-X6XX-6XX

**CUSTOM COMFORT PAD/COVER**

1275-4319-300 - PAD & COVER  
1275-4619-600 - COVER ONLY

XX      XX  
WW = \_\_\_\_ HH = \_\_\_\_

RESTRICTIONS APPLY

<b>CIRCLE 150</b> 175mm W x 55mm H -OX11-	<b>CIRCLE 250</b> 220mm W x 70mm H -OX12-
<b>COMFORT 250</b> 260mm W x 90mm H -OX31-	<b>COMFORT 350</b> 340mm W x 120mm H -OX32-
<b>CONTOUR 250</b> 280mm W x 140mm H -OX21-	<b>CONTOUR 350</b> 350mm W x 170mm H -OX22-
<b>STD LAT PAEDIATRIC</b> 220mm W x 180mm H -OX41-	<b>STD LAT STANDARD</b> 250mm W x 145mm H -OX43-
<b>EXTD LAT PAEDIATRIC</b> 230mm W x 160mm H -OX42-	<b>EXTD LAT STANDARD</b> 260mm W x 180mm H -OX44-
<b>ADJUSTABLE LAT 150</b> 175mm W x 55mm H -OX61-	<b>ADJUSTABLE LAT 250</b> 220mm W x 70mm H -OX62-

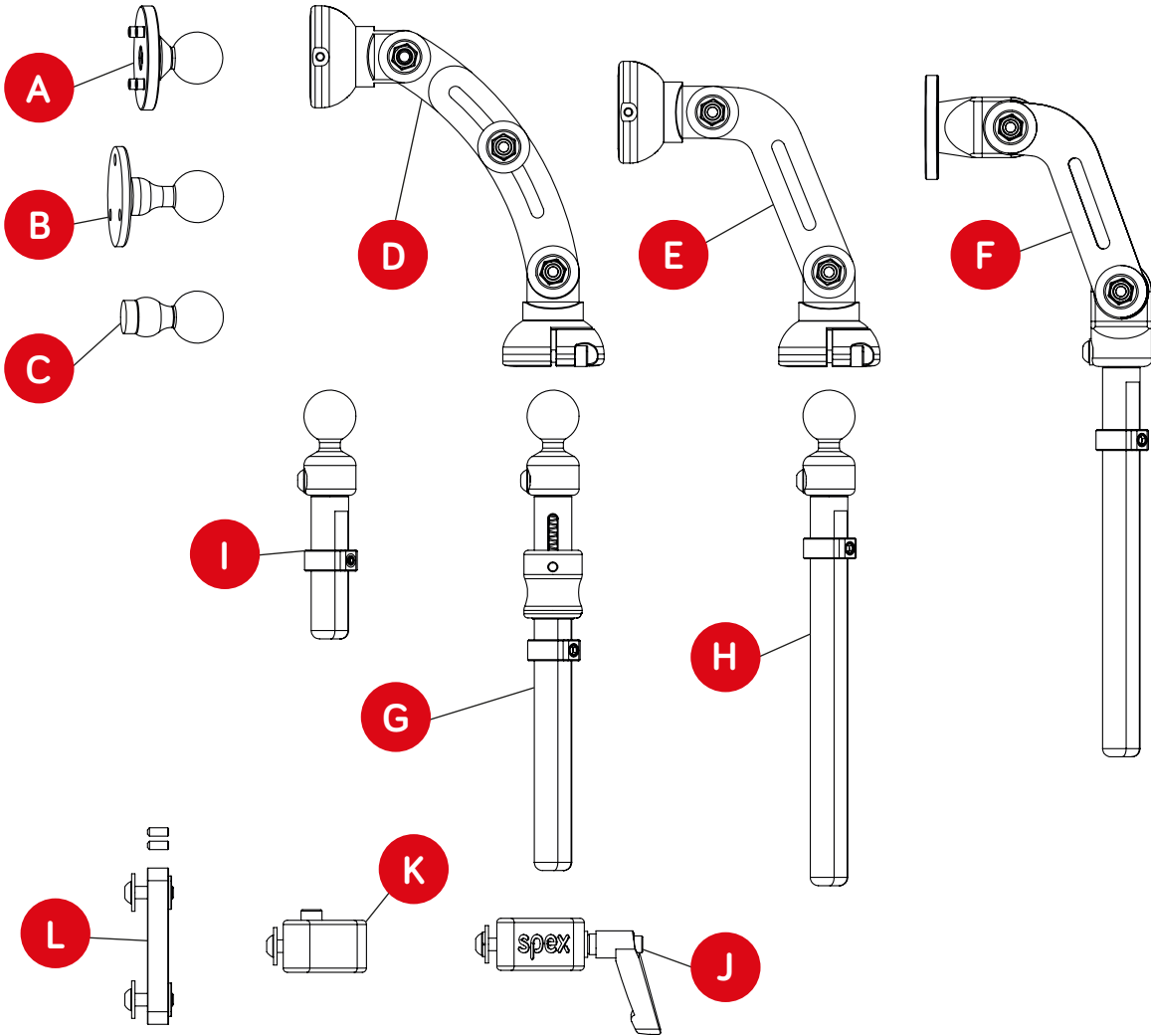
## SPARE PARTS

DESCRIPTION	CODE	QTY
ADJUSTABLE WING BRACKET COMPLETE	1272-4151-100	QTY
STYLO HEAD SUPPORT MOUNT BALL	1274-4179-100	QTY



# STYLO HARDWARE

## STYLO HEAD SUPPORT



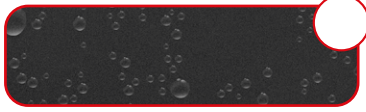
### ORDERING CODES FOR STYLO HEAD SUPPORTS

DESCRIPTION	CODE	#	PER	QTY
STYLO HEADREST MOUNT BALL	1274-4179-100	A	EA	QTY
SPEX HEAD SUPPORT BALL JOINT MOUNT 3 HOLE S/S	1272-4172-100	B	EA	QTY
WHITMYER TO SPEX HEAD SUPPORT BALL MOUNT ADAPTOR	1274-4185-100	C	EA	QTY
STYLO 260 ARM	1274-0082-100	D	EA	QTY
STYLO 160 ARM	1274-0052-100	E	EA	QTY
STYLO 130 ARM	1274-1232-100	F	EA	QTY
STYLO SWING-AWAY STEM	1274-2200-100	G	EA	QTY
STYLO FIXED STEM	1274-1200-100	H	EA	QTY
STYLO FIXED STEM - SHORT	1274-1205-100	I	EA	QTY
STYLO BACKREST MOUNT ASSEMBLY	1274-4140-100	J	EA	QTY
STYLO SLIM MOUNT	1274-4140-200	K	EA	QTY
STYLO HEAVY-DUTY COMPATIBILITY KIT	1274-0000-HDK	L	EA	QTY

# HEAD PAD SUPPORT MODIFICATIONS

## CUSTOM FABRIC CHOICES ON COVER

SPEXTEX WATERPROOF PU



SPEXTEX WATERPROOF PU  
(1208-2949-209)

SPEXTEX KNITTED FABRIC



SPEXTEX KNITTED FABRIC  
(1208-2949-219)

MERINO



AIR MESH  
(default)

## COLOURS AVAILABLE

**Black**  
(default)

**Chilli**  
1209-2491-022

**Mango**  
1209-2491-030

**Calypso**  
1209-2491-028

**Royal**  
1209-2491-077

**Bumblebee**  
1209-2491-044

**Ocean**  
1209-2491-060

**Leaf**  
1209-2491-054

**Granite**  
1209-2491-090

## CUSTOM OPTIONS

### CUSTOMISATION

CUSTOM THICKNESS (SPECIFY)

1271-5879-000

½" EXTRA SOFT PRESSURE-RELIEVING FOAM OVERLAY

1271-0019-000

### MEASUREMENTS

\_\_\_\_\_ mm

# HARNESSES & HIP BELTS

## FOOT FAST MOUNTING KITS

### DESCRIPTION

### CODE

### PER

SPARE MOUNTING KIT FOR FOOT FASTS	1400-6160-000	KIT	QTY
SPARE MOUNTING KIT FOR FOOT FASTS WITH REAR POSTERIOR RETAINER STRAPS	1400-6165-000	KIT	QTY



## HIP BELT MOUNTING KITS

### DESCRIPTION

### CODE

### PER

HIP BELT ATTACHMENT HARDWARE 25MM	1400-6160-000	KIT	QTY
HIP BELT ATTACHMENT HARDWARE 38MM	1400-6165-000	KIT	QTY
HIP BELT ATTACHMENT HARDWARE 50MM	1400-6165-000	KIT	QTY

### SIZE

### MOUNT KIT

XSM	25MM X 2
SML	25 + 38MM
MED	25 + 38MM
LGE	25 + 50MM



## HARNESS MOUNTING KITS

### DESCRIPTION

### CODE

### FITS HARNESS SIZE

### PER

HARNESS MOUNTING KIT 25MM	1400-6155-000	XSM, SML, MED	KIT	QTY
HARNESS MOUNTING KIT 38MM	1400-6156-000	LGE, XLG	KIT	QTY



## HARNESS & HIP BELT MOUNTING HARDWARE

### DESCRIPTION

### CODE

### PER

HARNESS MOUNT 25MM STAINLESS STEEL	1400-6025-022	EA	QTY
HARNESS MOUNT 38MM STAINLESS STEEL	1400-6038-022	EA	QTY
HARNESS MOUNT 50MM STAINLESS STEEL	1400-6050-022	EA	QTY



### DESCRIPTION

### CODE

### PER

TRI-BAR ADJUSTER 25MM PLASTIC	1400-6525-199	EA	QTY
TRI-BAR ADJUSTER 38MM PLASTIC	1400-6538-199	EA	QTY
TRI-BAR ADJUSTER 50MM PLASTIC	1400-6550-199	EA	QTY



### DESCRIPTION

### CODE

### PER

TRI-BAR ADJUSTER 25MM STAINLESS STEEL	1400-6525-022	EA	QTY
TRI-BAR ADJUSTER 38MM STAINLESS STEEL	1400-6538-022	EA	QTY
TRI-BAR ADJUSTER 50MM STAINLESS STEEL	1400-6550-022	EA	QTY



## SHOULDER STRAP GUIDES/RETAINER

### DESCRIPTION

### CODE

INCLUDES PAIR OF SHOULDER STRAP GUIDES AND ALL ATTACHMENT HARDWARE	1400-6692-000	QTY
--------------------------------------------------------------------	---------------	-----



# TRAY TABLES

## BLACK ABS TRAY TOP

DESCRIPTION	CODE	SIZE	WIDTH	DEPTH	QTY
BLACK ABS TRAY SMALL	1311-7411-013	SML	450MM	450MM	QTY
BLACK ABS TRAY MEDIUM	1311-7412-013	MED	550MM	550MM	QTY
BLACK ABS TRAY LARGE	1311-7413-013	LGE	650MM	650MM	QTY

CUSTOM OPTION (1311-7419-013) - RESTRICTIONS APPLY

WW = \_\_\_\_\_ <sup>XX</sup>  
DD = \_\_\_\_\_

## CLEAR POLYCARBONATE TRAY TOP

DESCRIPTION	CODE	SIZE	WIDTH	DEPTH	QTY
CLEAR POLYCARBONATE TRAY SMALL	1311-7401-012	SML	450MM	450MM	QTY
CLEAR POLYCARBONATE TRAY MEDIUM	1311-7402-012	MED	550MM	550MM	QTY
CLEAR POLYCARBONATE TRAY LARGE	1311-7403-012	LGE	650MM	650MM	QTY

CUSTOM OPTION (1311-7409-012) - RESTRICTIONS APPLY

WW = \_\_\_\_\_ <sup>XX</sup>  
DD = \_\_\_\_\_



## TRAY TOP CUSTOMISATIONS

### CUSTOM STOMACH REGION CUT-OUT

1311-7299-000 - RESTRICTIONS APPLY

### ELBOW PADS TO REDUCE PRESSURE/SHEAR

1311-7301-400 - RESTRICTIONS APPLY

WW = \_\_\_\_\_ <sup>XX</sup>  
DD = \_\_\_\_\_



# spex

Manufactured by Spex Ltd

[solutions@spexseating.com](mailto:solutions@spexseating.com)

[spexseating.com](http://spexseating.com)



DISTRIBUTED BY:

US	REP	EC	REP
Medicept 200 Homer Ave, Ashland MA 01721, United States Tel: +1-508-231-8842		BEO MedConsulting Berlin GmbH Helmholtzstr. 2 D-10587 Berlin, Germany Tel: +49-30-318045-30	



Spex Spare Parts Script Form\_20240830\_EN\_v4