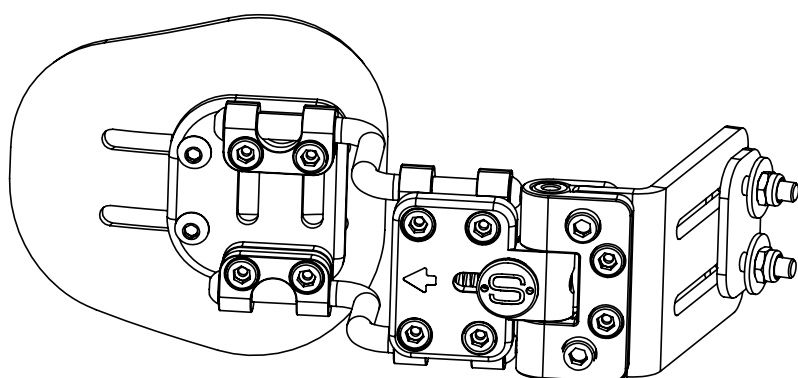


User Manual for all Spex Lateral Trunk Supports (product code begins with '1266-')

Revision: Lateral20240829_JAY_v2

Manuel de l'utilisateur pour tous les appuis latéraux Spex (code de produit commençant par '1266-')

Revision: Lateral20240829_JAY_v2



spex
BY  **JAY**[®]

Lateral Trunk Supports
Appuis latéraux

Installation & User Manual
Manuel de l'utilisateur et installation

IMPORTANT CONSUMER INFORMATION NOTICE:

This manual contains important instructions that must be passed on to the user of this product. Please do not remove this user manual before delivery to the end user.

SUPPLIER: This manual must be given to the user of this product.

USER/CAREGIVER: Before using this product, read entire manual and save for future reference. Transit Safety section **MUST** be read before Lateral Trunk Support is used in a vehicle.

MD: This product is a Medical Device.

RENSEIGNEMENTS IMPORTANTS POUR L'UTILISATEUR :

Le présent manuel contient des instructions importantes qui doivent être transmises à l'utilisateur de ce produit. Ne pas retirer ce manuel de l'utilisateur avant la livraison du produit à l'utilisateur final.

FOURNISSEUR : Ce manuel doit être remis à l'utilisateur de ce produit.

UTILISATEUR/DISPENSATEUR DE SOINS : Avant d'utiliser ce produit, veuillez lire le manuel au complet et le conserver pour référence ultérieure. Il **FAUT** lire la section Transport sécuritaire avant d'utiliser les appuis latéraux dans un véhicule.

MD: Ce produit est un dispositif médical.

User Name / Nom de l'utilisateur :

Serial Number / Numéro de série :

Contents

Introduction	2
Intended Use	3
Contraindications	3
Compatibility	3
Safety Instructions	4
Environment	5
Maintenance & Cleaning	5
Lateral Support Contents	6
Mounting the Lateral to the Back Support shell	7
Width/height adjustment	7
Mounting to Canes	7
Added Depth Options	8
Angle adjustment	8
Depth adjustment	9
Axial adjustments (if fitted)	9
Releasing the swing-away mechanism	9
Releasing the Quick-Release mechanism (if fitted)	10
Biangular adjustments (if fitted)	10
Re-issuing to another user	11
Disposal & Recycling	11
Transit Safety – Assembly, Use, Maintenance & Limitations	12
Transit Safety – Correct Positioning of Belt Restraints	13
Warranty	17
Technical Data	20

Introduction

Spex recommends that a clinician such as an Occupational or Physiotherapist who is skilled in wheelchair seating and positioning be consulted to determine if the Spex Lateral Trunk Support is appropriate for the user.

Intended Use

Spex Seating is intended for users (disabled and/or discomforted) that require specific postural and positioning support to provide comfort for body function in a sitting posture on wheelchairs for daily activities and for transportation in vehicles. It is designed with ergonomic adjustments to provide improved personal body-posture conditions and/or to help prevent/reduce physical problems associated with sedentary work or activities.

Contraindications

1. Use of Spex Wheelchair seating products may affect the centre of gravity causing the Wheelchair to tip, potentially causing injury. Always judge the need for anti-tippers or amputee axle adapter brackets to be added to the Wheelchair to increase stability.
2. Check regularly for skin redness and that pressure spots are not developing. If your skin develops redness, stop using the product and consult your doctor or therapist.

Compatibility

- Spex Lateral Supports have been designed to be compatible with most wheelchairs.
- Spex Lateral Supports are designed to be used with all Back Supports from the Spex range.
- Spex Laterals and mechanisms are tested and certified for the Spex brand and may not be appropriate for installation to other brands of wheelchair Back Supports.
- Spex Laterals and mechanisms are not appropriate for installation to other products or used in a manner other than Back Supports.

Safety Instructions

To avoid injury, read, understand and follow all instructions and warnings in this manual before installing and using the Spex Lateral Trunk Support. There are hazards associated with the use of wheelchairs and adaptive equipment. If you misuse your wheelchair or your Lateral Trunk Support you can be seriously injured. If your Lateral Trunk Support ceases to function as intended, please consult your authorized Spex seating supplier immediately before continuing to use. Any serious incident that has occurred in relation to this product should be reported to Spex Ltd.

The foam and fabric meets the flammability requirements of California Technical Bulletin 117. In rare cases the fabrics used in this product may cause a skin irritation for people with sensitive skin. If you experience any reddening or itching of the skin consult with your health care professional.

Disclaimer: Spex takes no responsibility as to the therapeutic effectiveness of our products. Our claims relate to the ability of the products to provide safe and reliable positioning and seating on the equipment onto which they are installed.



WARNING

RISK OF ACCIDENT, INJURY, PAIN OR DEATH IF WARNINGS ARE NOT FOLLOWED

Ask for help if you are unsure about any of the following points.

1. Check your skin for red marks or pressure spots regularly. If your skin is red or itchy, stop using the product and consult with your healthcare professional.
2. Never use the lateral support without a cover. Stay away from open flames or burning cigarettes. Using the lateral support without a cover increases the risk of flammability and skin damage.
3. Never exceed the weight limit of your lateral support or your wheelchair. The weight limit of the wheelchair is specified by the wheelchair manufacturer. Never perform exercise weight training that could exceed the weight limit of the wheelchair.
4. Check if anti-tippers or other adaptations need to be added to the wheelchair to help increase stability. Installing seating systems may affect the centre of gravity and could cause the wheelchair to tip.
5. The Spex Lateral Trunk Support has been designed as a postural support for wheelchair users. Never use your lateral support in ways it is not designed to be used.
6. Ensure all body parts are kept clear of the swing-away pivot points during movements.
7. Check that the locking mechanism is locked after all movements. If it stops locking do not use the equipment.

Environment

⚠ Caution: Avoid sharp objects or exposure to extreme heat or open flame. These could damage your lateral support.

Moisture: Always keep your lateral support dry. If your lateral support etc. gets damp or wet, thoroughly wipe with a dry cloth as soon as possible. Never use your lateral support in a showering or pool facility. Moisture is a contributing factor in causing pressure ulcers. It can damage your lateral support and could potentially cause failure.

Temperature: The lateral support should be at room temperature before use. Your lateral support may not function as intended when used at extreme temperatures. Do not leave the lateral support outside overnight or at temperatures below 5°C/41°F.

Dirt: Small bits of dust, dirt and sand can damage your lateral support. Regularly wash your lateral support cover to ensure no build-up occurs.

Maintenance & Cleaning

Check that the hardware is working correctly, if not you must replace immediately. Spex recommends that all fasteners be checked for wear, such as loose bolts or broken components, every 6 months. Loose fasteners should be retightened according to the installation instructions. Contact your authorized Spex Seating supplier immediately to replace any broken components. Do not continue to use the system after identifying loose or broken components. For any questions regarding cleaning procedures, contact your authorized Spex Seating dealer. The expected lifetime of the Lateral Support is 5 years.

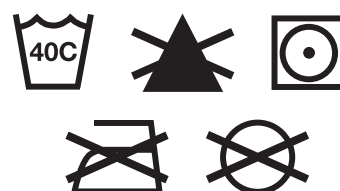
Spex recommends using AHP (Accelerated Hydrogen Peroxide) disinfectant wipes. The disinfection product must be used as per the manufacturer instructions. Spex takes no responsibility for the effectiveness of the disinfecting process.

Cleaning the hardware

Hardware may be wiped clean with mild detergent and water. Rinse with clean water. Dry thoroughly after rinsing.

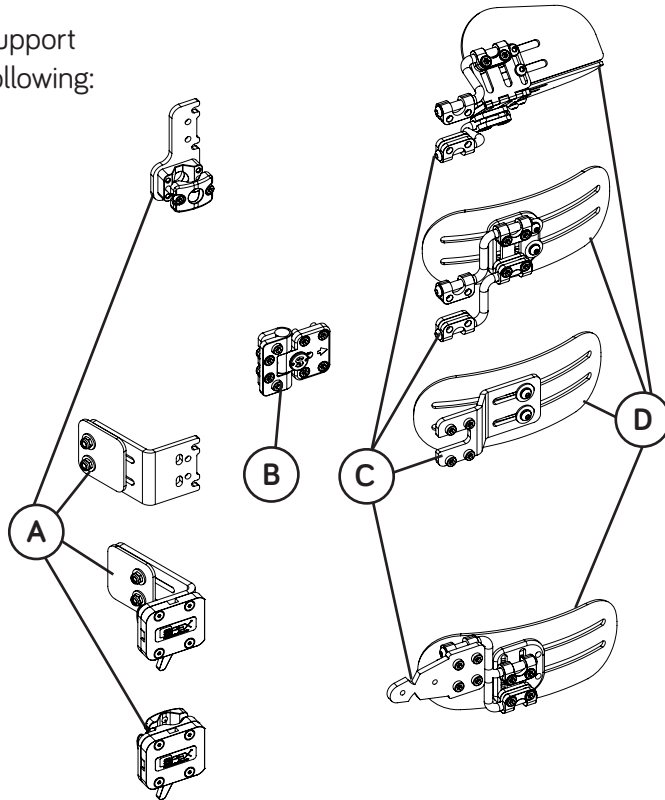
Cleaning the cover

Machine wash in warm water 40°C/104°F. Drip or tumble dry on low heat. Do not iron, bleach or dry clean. If chemical cleaners are used, covers must be rinsed thoroughly with water to remove all chemical residue and left to dry completely before reuse.



Lateral Support Contents

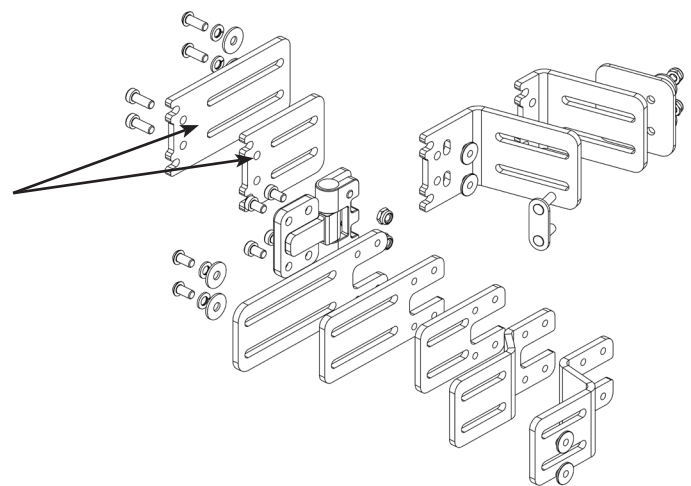
Your Lateral Support contains the following:



	Description	Quantity
A	Fixing Plate	1
B	Flip Away Hinge	1
C	Support Adjustment Brackets	1
D	Lateral Support Pad	1

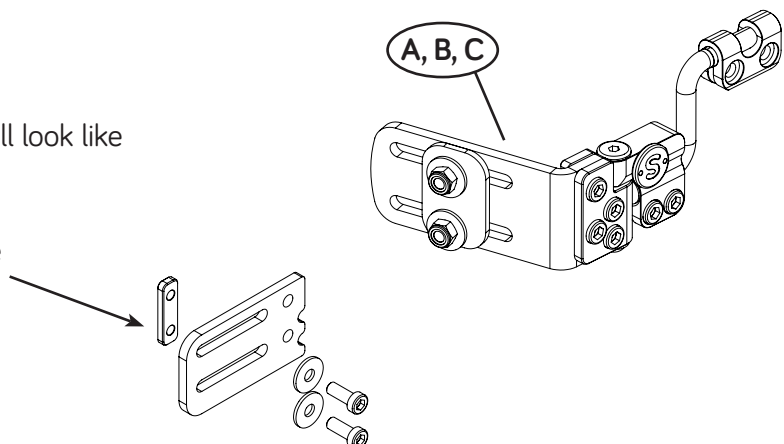
There are multiple options for the above parts examples of which are shown on the right. Your lateral support may include an extension plate, as highlighted.

Note: Quick-Release laterals may be provided with extra Axial bars for extra depth, see page 8 for further detail.



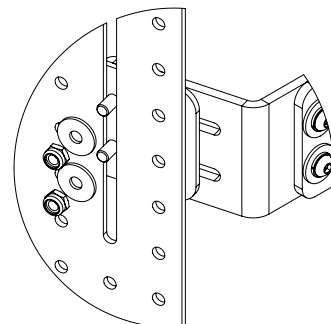
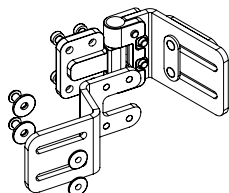
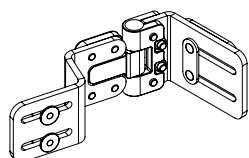
Paediatric laterals contain the same, but will look like the following:

Your paediatric lateral support may include an Extender Kit, as shown.



Mounting the Lateral to the Back Support

Tools Required: 4mm, 5mm Hex Key, 10mm Ring Wrench



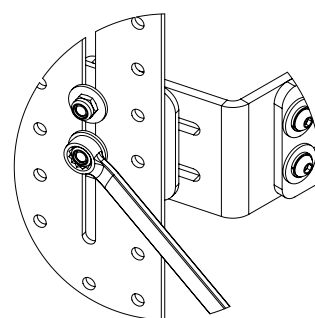
1. Place the Lateral bracket with the rubber pad against the shell as shown.



CAUTION

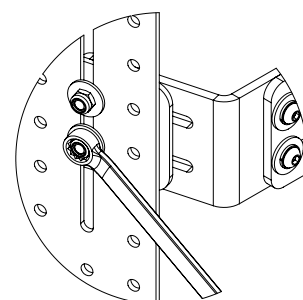
The rubber pad must be between the bracket and the shell and used at all times.

2. Use a 10mm Ring Wrench to tighten the M6 nuts. Do not overtighten.



Width/Height Adjustment

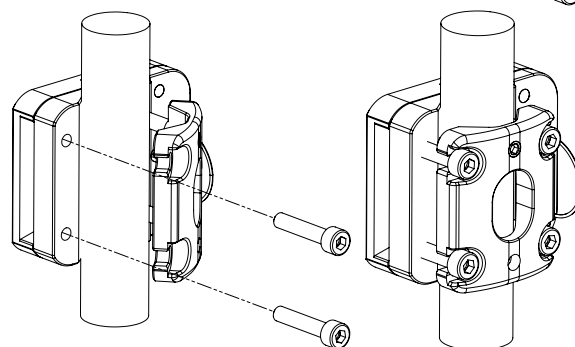
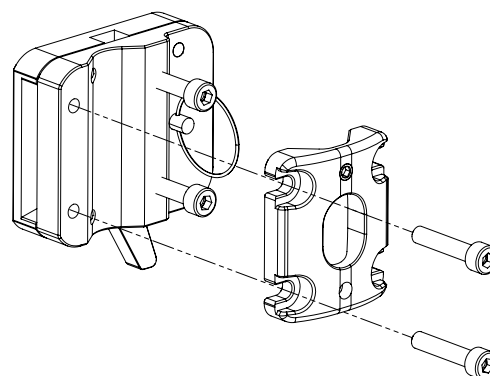
1. Use a 10mm Ring Wrench to loosen the M6 nuts.
2. Shift the Lateral into the desired position.
3. Tighten the M6 nuts.



Mounting to Canes

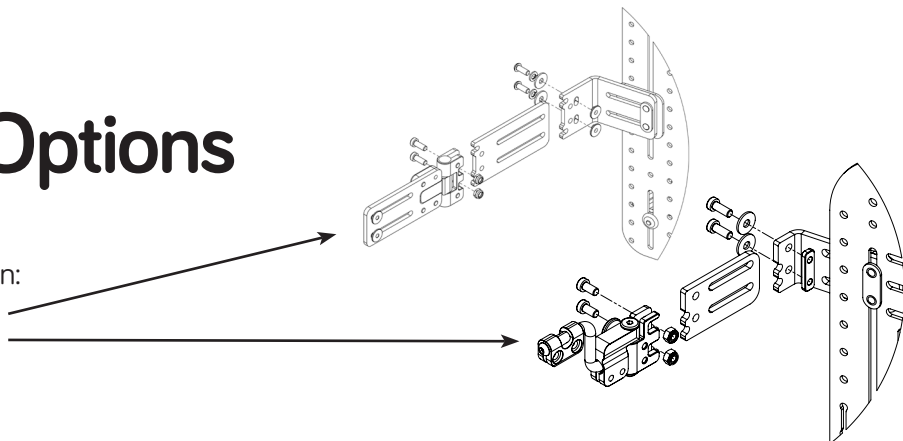
When using Cane Mounts instead of the fixing plate, follow these steps:

1. Use a 4mm hex key to remove 2 screws vertically aligned
2. Wrap the outer clamp around the cane in position and fasten firmly.

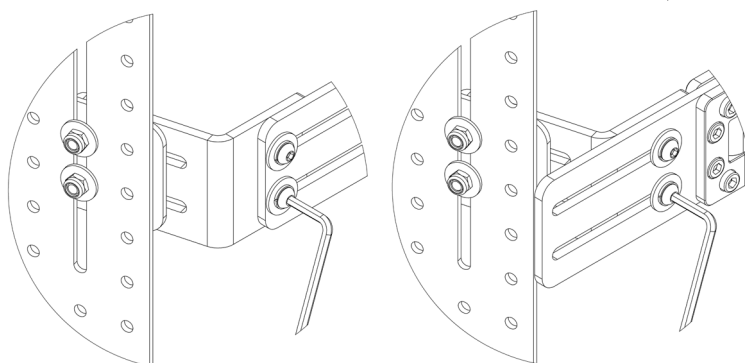


Added Depth Options

- Optional extension bracket shown:
#1266-2430-100
#1266-2440-100

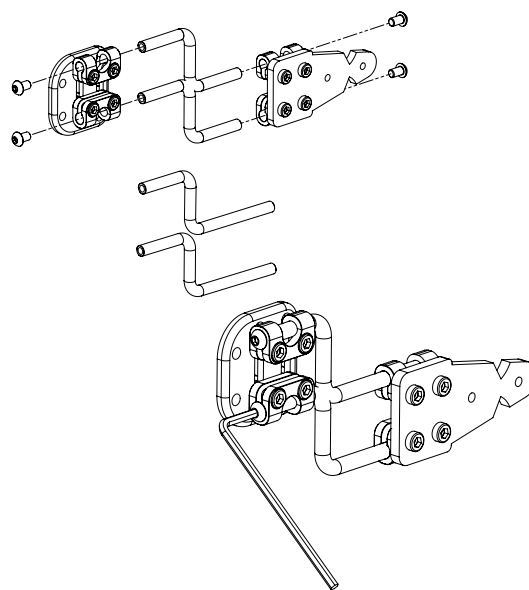


- Use the extended bracket to adjust the depth of the Lateral as required. Ensure fasteners are tightened correctly.



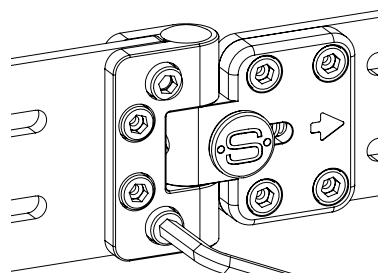
- When using a Quick Release Lateral: Extra depth can be achieved by using the extended Axial bars provided as spare.

- Remove the 4 button head screws from the ends of the Axial bars
- Swap the bars into the clamps
- Refasten the 4 button head screws onto the Axial bars



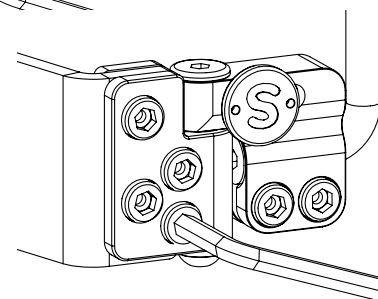
Angle adjustment

- Adjust the **silver** screws to change the angle of the Lateral plate when positioning. Retighten once complete, ensuring the Lateral will not move.



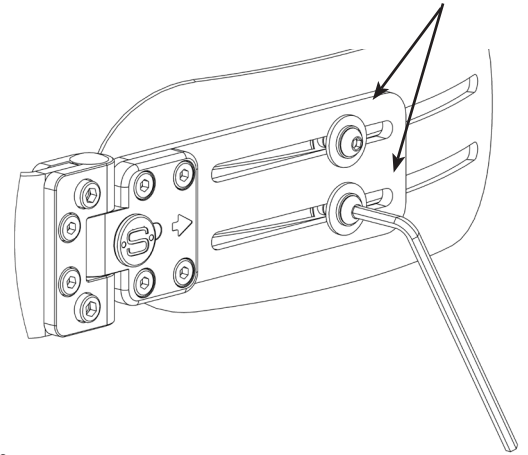
CAUTION

The silver screws must be tightened prior to the user sitting in the wheelchair. The silver screws must be checked regularly for sufficient tightness.



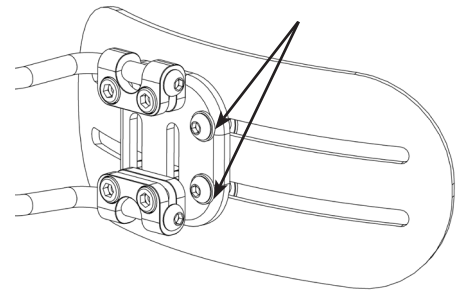
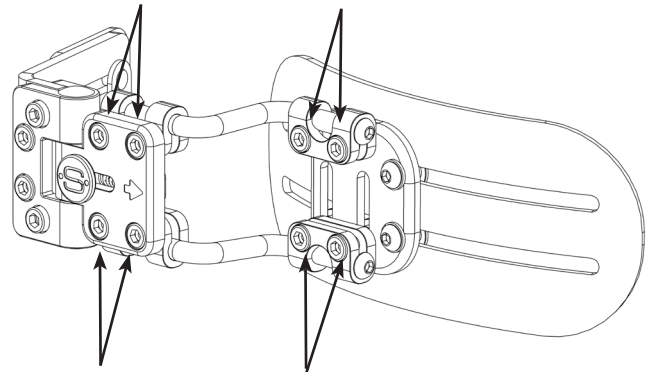
Depth Adjustment

1. Remove the zipped cover and foam to adjust. Use a 4mm Hex key to adjust the position of the plate, by adjusting the two fasteners shown.



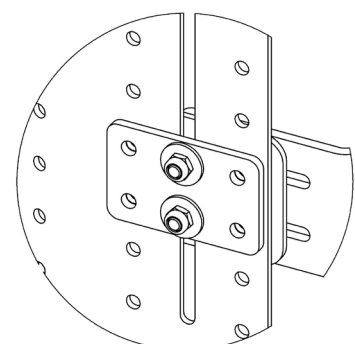
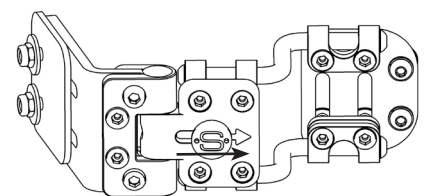
Axial Adjustments (if fitted)

1. Use a 5mm Hex key to adjust the angle and height of the plate. Loosen the eight fasteners highlighted to position the plate as required.
2. Use a 4mm Hex key to adjust the position of the plate, by adjusting the two fasteners shown.



Releasing the Swing-Away Mechanism

1. Slide the button across to open the Lateral.
2. To strengthen the Lateral bracket when there is a lot of force on the Lateral, the secondary bracket must be used as shown.



Releasing the Quick-Release Mechanism (if fitted)

1. Pull the lever forward and remove the lateral.
2. To re-engage push into the mount until it clicks, locking itself in place.



CAUTION

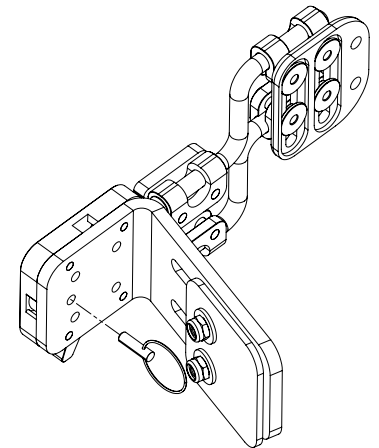
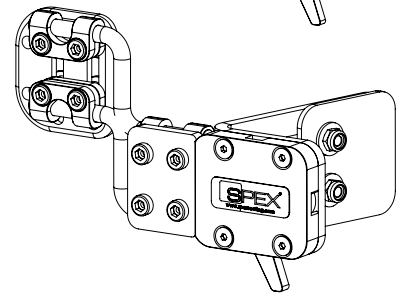
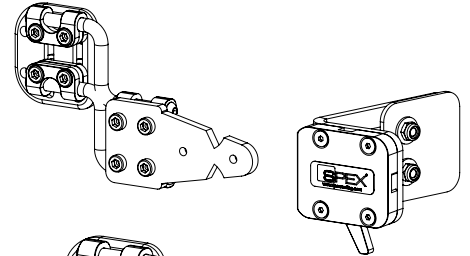
Ensure that the lateral is locked in place by trying to pull it away without activating the lever.

3. To fix the lateral and restrict removal insert the detent pin into the mechanism and ensure that it engages the tongue.



CAUTION

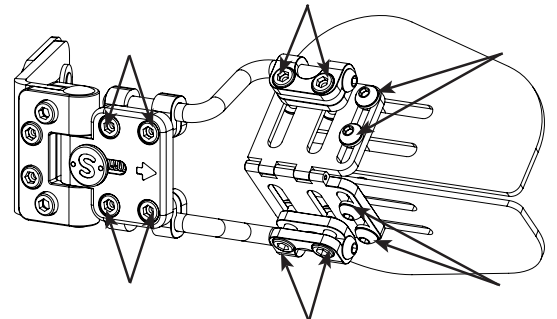
Ensure that this has engaged, by trying to release the lateral. When using this support in transport the detent pin must be engaged.



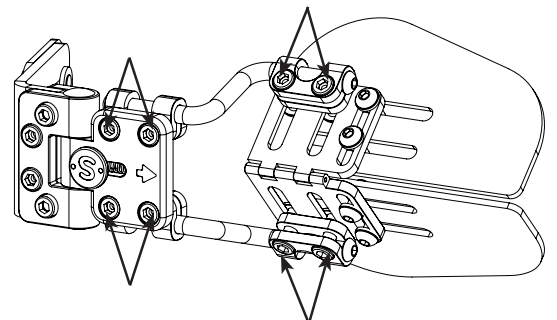
Biangular Adjustments (if fitted)

1. Use a 4 and 5mm Hex key to adjust the angle, height, pad curvature angle and depth of the Biangular lateral pad.

Loosen the 12 fasteners highlighted to position the plates as required.



2. Correctly tighten the 8 highlighted bolts to set the angle, height and curvature angle of the pad.

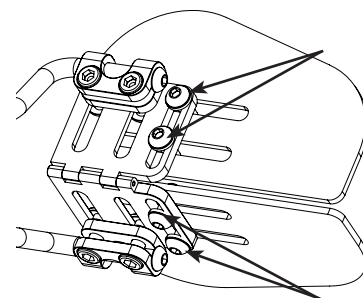


3. Lastly tighten the 4 fasteners shown to set the pad depth and secure the curvature angle.



CAUTION

Ensure the four highlighted bolts are loosened enough prior to adjusting to allow them to slide freely along the slots. The bolts should then be tightened in a suitable position that does not create bunching or stretching of the foam.



Re-issuing to another user

Once the user has finished using the Spex Lateral Support, it must be refurbished and thoroughly cleaned if it is issued to another user. Below are the strict guidelines for refurbishing the Spex Lateral Support.

Spex recommends using AHP (Accelerated Hydrogen Peroxide) disinfectant wipes. The disinfection product must be used as per the manufacturer instructions. Spex takes no responsibility for the effectiveness of the disinfecting process.

Spex takes no responsibility for contamination, cross infection, or damage.

Part	Procedure
Safety check	All components to be checked for signs of stress or cracking.
Upholstery covers	Upholstery outer covers must be replaced regardless of condition.
Hardware and components	Ensure the mechanism components are in place and in safe working order. If any are missing, they must be ordered. Check for signs of stress or cracking. If any stress/cracks are found the Lateral Support is to be retired from use and must be disposed of. Clean the hardware and components with a mild detergent and quality disinfectant such as the AHP (Accelerated Hydrogen Peroxide) disinfectant wipes, ensuring all areas are free from grime.
Foam	Foam pad must be replaced regardless of condition.

Disposal & Recycling

Many of the materials in your Spex Seating System can be recycled by taking it to a recycling centre. Thank you for looking after the environment! Follow all local laws and regulations when disposing of your Spex Seating System.

Transit Safety



CAUTION

When using the Quick-Release Lateral Support in transit the detent pin must be engaged.

The Spex Seating System has been successfully crash tested and complies with RESNA WC-4:2012, Section 20 (WC20). The Spex Seating System meets the requirements of ISO 16840-4:2009 and is suitable for use as a motor vehicle seat when used with an appropriate wheelchair base. Please follow all installation, use and maintenance instructions within this manual as well as the following transit instructions. If feasible, the wheelchair user should transfer to the vehicle seat and use the vehicle-installed occupant restraint systems.

Spex Seating System has been designed to accommodate the proper use of vehicle-anchored belt restraints. Spex achieved a rating of Excellent (16 out of 16), for ease of properly positioning a belt restraint, and the degree to which proper belt restraint can be achieved, based on the methods of Annex D. The following items of the Spex Seating System have been tested and are suitable for use in a motor vehicle:

- Full Height Back Support Models
- Seat Base
- Cushion Models
- Arm and Thigh Supports
- Trunk Lateral Supports
- Head Supports

Note: Back Supports that are lower than the user's shoulder height are not certified and not recommended for transport in a vehicle. Eg. Vigour Lo and Vigour Mid Back Supports.

Assembly, Use, Maintenance & Limitations

- Adjustments to the set-up of the wheelchair must only be carried out by a qualified therapist, professional, or seating technician. Custom contoured/bespoke systems may require a qualified professional to configure and install the seating system.
- After carrying out any adjustments ensure all bolts, screws and nuts are securely fastened again to ensure safety when travelling in a vehicle.
- Ensure the top and bottom mounts of the backrest and the front and rear mounts of the seat pan are installed as far apart from each other as possible to give a stronger 4-point attachment to the wheelchair frame. Ensure the quick release latches are engaged.
- Do not use the Spex Seating System as a vehicle seat if seating components which have not been successfully crash tested are used anywhere on the seating system. Spex Seating is designed and certified using only Spex components. Spex is not liable in the event where other manufactured seating systems are used in conjunction with Spex Seating.
- At regular intervals check that all the fastenings on the Spex Seating System have not become loose during day to day use and re-tighten if necessary.
- Ensure the swing-away Laterals are in their locked position before using the seat as a vehicle seat in a motor vehicle.

Transit Safety

Correct Positioning of Belt Restraints

When using the Spex Seating System as a vehicle seat, both a pelvic-belt restraint and shoulder-belt restraint must always be used. To correctly position the belt restraints on the wheelchair occupant, the following must be ensured:

- The pelvic-belt restraint should be worn low across the front of the pelvis near the junctions of the pelvis and thighs.
- The angle of the pelvic-belt restraint should be between 30° to 75° relative to the horizontal and, ideally, between 45° to 75° to the horizontal (as shown in Figure 2).
- The belt-restraint buckle of three-point belt restraints should be placed in contact with the occupant's body and away from wheelchair components.
- The junction of the shoulder-belt and pelvic-belt of three-point-belt restraints should be located near the hip opposite the shoulder over which the diagonal belt crosses and not near the midline of the occupant.
- Belt restraints should not be routed outside of the wheelchair wheels or over the wheelchair armrests, and should not be held away from the body by wheelchair components or parts.
- Upper torso belt restraints should fit directly over, and in contact with, the middle of the shoulder.
- Belt restraints should be adjusted to fit as snugly as possible, consistent with user comfort.
- Belt restraints should not be worn twisted in a manner that reduces the area of contact of the belt webbing with the occupant.



Figure 1

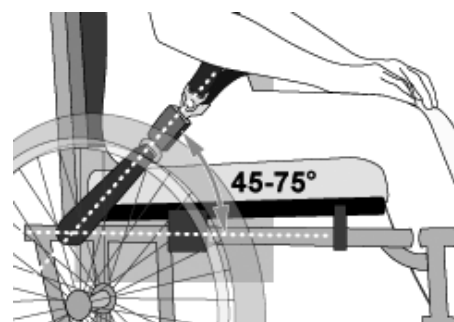


Figure 2



Figure 3a - Improper positioning of pelvic-belt restraints over wheelchair supports.

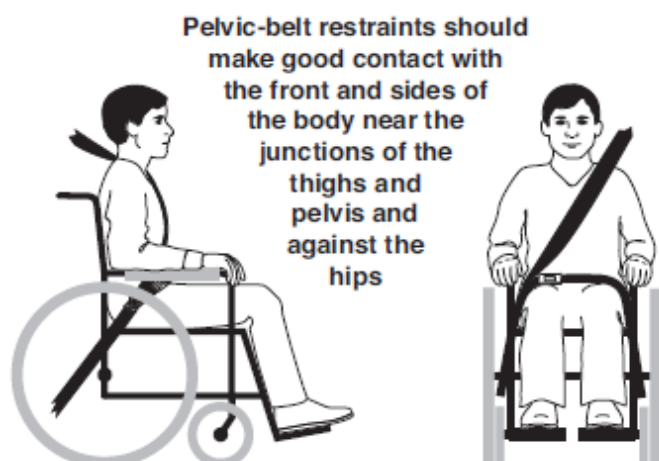


Figure 3b - Proper routing and positioning of belt restraints on the wheelchair occupant.

**WARNING**

1. The distance between the top of the user's shoulder and the top of the back should not exceed 6.5" (16.5 cm).
2. The Spex Seating System must only be used with wheelchair bases that are tested as part of a wheelchair system that conforms to performance requirements of ISO 7176-19 and RESNA WC-4:2012, Section 19.
3. The Spex Seating System should only be used on wheelchair frames that provide four securement points and pelvic-belt anchor points that conform to the requirements of RESNA WC-4: 2012, Section 19.
4. The wheelchair must be labelled as appropriate for use as a seat in a motor vehicle, dynamically tested to the performance requirements of ISO 7176-19 and installed, used and maintained according to the manufacturer's instructions.
5. The Spex Seating System must only be used as indicated in this user manual.
6. Both pelvic and shoulder-belt restraints as a part of a complete Wheelchair Tie down and Occupant Restraint System (WTORS) which meets ISO 10542-1 shall be used to achieve effective occupant restraint and optimum protection in a vehicle impact; the belt restraints should be compatible with the specific wheelchair, and fitted to the user in accordance with WTORS manufacturer's instructions.
7. Back Supports with adjustable recline angles should not be tilted back more than 30° beyond the vertical during travel in vehicles unless necessary for the medical and postural needs of the occupant.
8. If the Back Support must be adjusted to an angle that is greater than 30° beyond the vertical during travel, the upper shoulder-belt anchor point should be adjusted rearward to maintain belt contact with the wheelchair occupant's shoulder and chest.

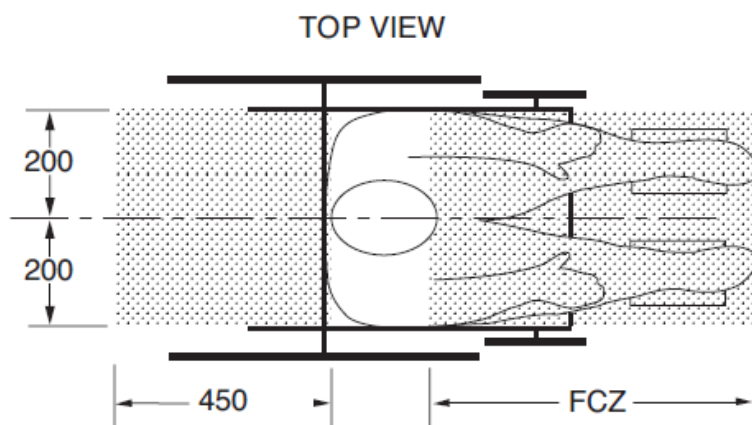
**WARNING**

9. **The Spex Seating System must only be used for forward-facing seating in motor vehicles.**
10. **In order to reduce the potential of injury to vehicle occupants, wheelchair-mounted rigid trays not specifically intended for use during travel in motor vehicles must be:**
 - a. **Removed and secured separately in the vehicle or**
 - b. **Secured to the wheelchair so they will not break free in a crash and**
 - **Be positioned with a gap of at least 3" (75mm) between the back edge of the tray and the wheelchair occupant's abdomen and/or chest so as not to interfere with the proper belt-restraint use, and**
 - **Have energy absorbing padding placed between the back edge of the tray and the wheelchair occupant.**
11. **Alterations or substitutions must not be made to the seating system structure, parts or components, without first consulting Spex.**
12. **The use of a postural pelvic belt attached to the wheelchair base or seat frame is encouraged during travel, but these belts should be positioned so that they don't interfere with the proper positioning of crashworthy belt restraints, and they should not be relied on for occupant protection in crash situations unless the postural belt has been designed to comply with, and perform to the requirements of WC19.**
13. **Postural support devices that are not labelled as conforming to ISO 16840-4 may be used when in a vehicle, but should not be relied on for occupant restraint.**

**WARNING**

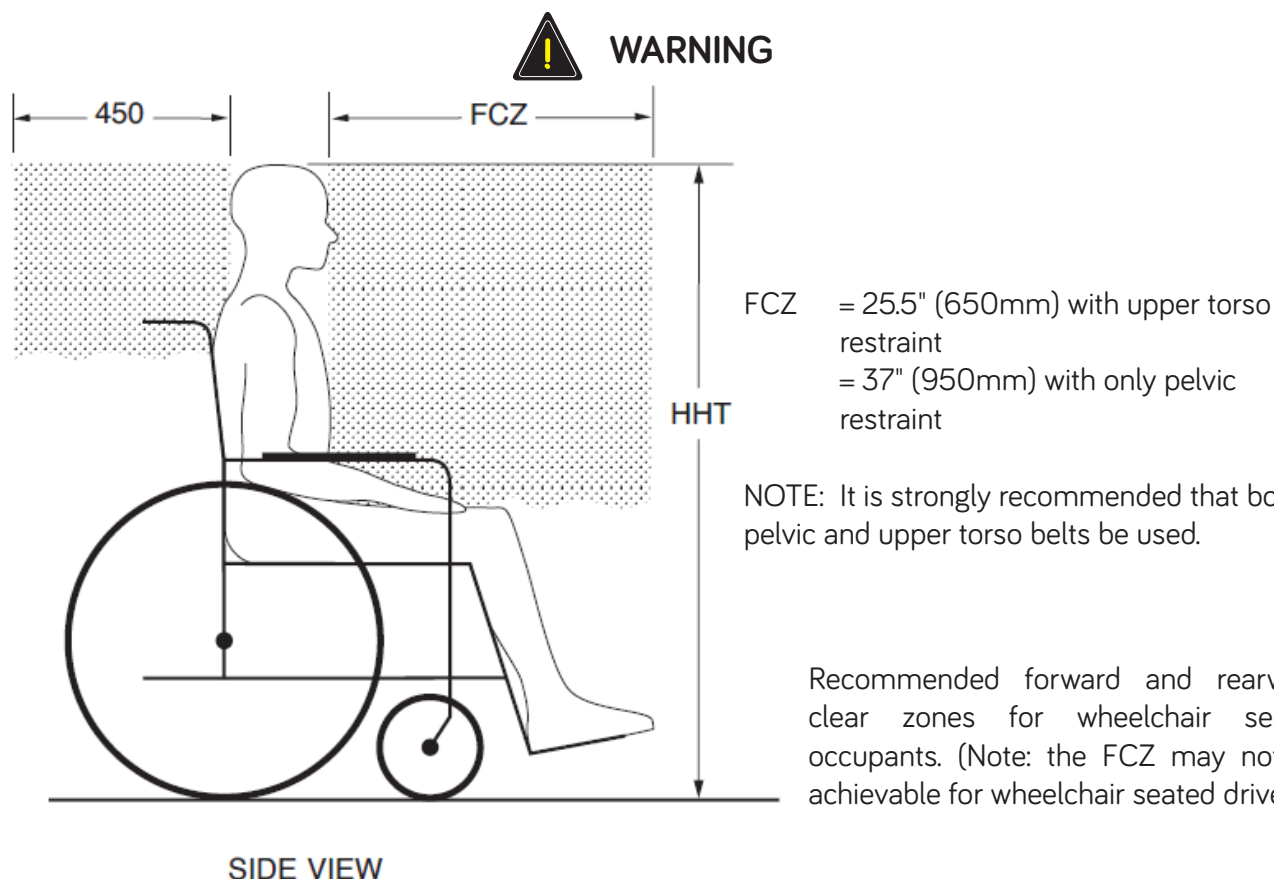
14. Both pelvic-belt and shoulder-belt restraints that comply with WC18 and/or WC19 should be used to limit occupant movement in a crash and reduce the likelihood of occupant ejection from the vehicle and/or injurious contact of the occupant with the vehicle interior.
15. Belt restraints should be positioned on the wheelchair occupant in accordance with WTORS manufacturer's instructions.
16. Backrest mounting hardware must be installed correctly. Refer to the appropriate section for correct backrest hardware mounting instructions.
17. If the wheelchair is being transported while occupied, the wheelchair must still be secured to the WTORS.
18. Children whose mass is less than 48.5 lbs. (22 kg) should be transferred from their seating system into appropriate child restraint systems intended for use in motor vehicles.
19. Sufficient forward and rearward clear space should be provided around the wheelchair occupant. Forward clear-space zone (FCZ) needs to be larger when a shoulder-belt restraint is not used.

FAILURE TO HEED THESE WARNINGS COULD CAUSE SEVERE INJURY TO THE WHEELCHAIR USER OR OTHERS.



NOTES: The rear clear zone is measured from the rearmost point on an occupant's head. The front clear zone is measured from the front-most point on an occupant's head.

Seated head height (HHT) ranges from about 47" (1200mm) for a small adult female to about 61" (1550mm) for a tall adult male.



Warranty

Each Spex Lateral Trunk Support is carefully inspected to provide peak performance and is guaranteed to be free from defects in materials and workmanship for a period of 12 months from the date of purchase, provided normal use. Should a defect in materials or workmanship occur within 12 months from the original date of purchase, Spex will, at its option, repair or replace it without charge. This warranty applies to the Lateral Trunk Support components including the pad, cover and hardware. This warranty does not apply to general wear and use, including punctures, tears or burns or customer abuse of any of the Lateral Trunk Support components.

Claims and repairs should be processed through the nearest authorized Spex supplier. Except for express warranties made herein, all other warranties, including implied warranties of merchantability and warranties of fitness for a particular purpose are excluded. There are no warranties which extend beyond the description on the face hereof. Remedies for breach of express warranties herein are limited to repair or replacement of the goods. In no event shall damages for breach of any warranty include any consequential damages or exceed the cost of non-conforming goods sold. The serial number of your Lateral Trunk Support can be located by unzipping the Lateral Support pad cover.

Technical Data

Weight Limit:

Adult Lateral Support: 136 kg (300 lb).

Paediatric Lateral Support: 50 kg (110 lb).

Bracket Weight: Between 0.15 – 0.45 kg (0.3 – 1 lb)

Pad Weight: Between 0.05 - 0.3 kg (0.1 – 0.7 lb)

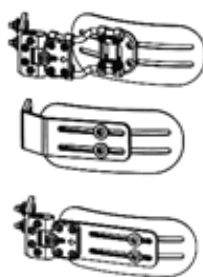
Materials:

Hardware: Aluminium

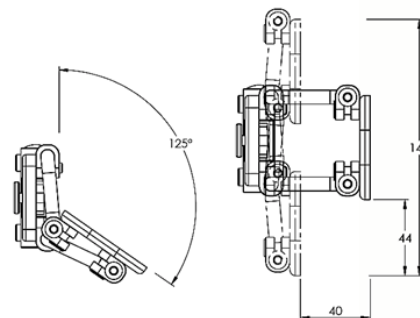
Cover: PU Foam, EVA Foam, Nylon, Polyester

Fixed and Axial Lateral Hardware

	Depth Adjustment
Axial Hardware	55mm
Paediatric Hardware	60mm
Fixed Hardware	55mm
Paediatric Fixed Hardware	40mm

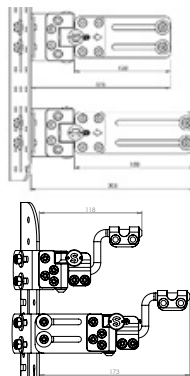


Axial Technology

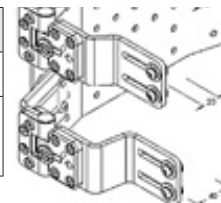


Swing-Away Hardware

Standard	Overall Length	Plate Length
Swing-away, straight	175mm	120mm
Swing-away, straight extended	205mm	150mm
Paediatric swing-away	118mm	n/a
Paediatric swing-away, extended	173mm	n/a



Offset	Offset
Swing-away, offset	20mm
Swing-away, offset extended	40mm



Lateral Support Pads

Narrow Straight

Size	Pad Height	Pad Depth
0	85mm	115mm
1	95mm	145mm
2	95mm	180mm
3	115mm	210mm
4	115mm	240mm

Narrow Curved

Size	Pad Height	Pad Depth
1	95mm	145mm
2	95mm	180mm
3	115mm	210mm
4	115mm	240mm

Broad

Size	Pad Height	Pad Depth
1	105mm	130mm
2	125mm	140mm
3	140mm	150mm
4	160mm	155mm
5	195mm	165mm
6	230mm	175mm


 32 Detroit Drive
 Rolleston 7614
 New Zealand

spex

Spex Ltd
 Phone +64 3 307 9790
 Fax +64 3 307 2820
 solutions@spexseating.com
 spexseating.com

Distributed in Canada by:
 Sunrise Medical Canada Inc.
 1000 Creditstone Road, Unit #2,
 Concord, ON L4K 4P8
 Canada

1-800-263-3390
 sunrisemedical.ca



Table des matières

Introduction	21
Utilisation prévue	22
Contre-indications	22
Compatibilité	22
Consignes de sécurité	23
Environnement	24
Entretien et nettoyage	24
Contenu des appuis latéraux	25
Montage de l'appui latéral à la plaque de l'appui-dos	26
Réglage de la largeur/de la hauteur	26
Montage sur tiges	26
Options de profondeur supplémentaires	27
Réglage de l'angle	27
Réglage de la profondeur	28
Réglages axiaux (s'il y a lieu)	28
Actionnement du mécanisme à charnière	28
Activation du mécanisme de libération rapide (si monté)	29
Ajustements biangulaires (s'il y a lieu)	29
Ajustements biangulaires	27
Adaptation pour un autre utilisateur	30
Élimination et recyclage	30
Transport sécuritaire - Assemblage, utilisation, entretien et limites	31
Transport sécuritaire - Positionnement correct des ceintures de contrainte	32
Garantie	37
Données Techniques	38

Introduction

Spex recommande de consulter un clinicien comme un professionnel de la santé ou un thérapeute, connaissant bien le positionnement d'un patient dans un fauteuil roulant, afin de déterminer si les appuis latéraux Spex sont appropriés pour l'utilisateur. Les appuis latéraux sont destinés principalement à un utilisateur qui nécessite un soutien postural.

Utilisation prévue

Spex Seating est destiné aux utilisateurs (handicapés et/ou mal à l'aise) qui nécessitent un soutien postural et de positionnement spécifique pour offrir un confort de fonctionnement corporel en position assise sur des fauteuils roulants pour les activités quotidiennes et pour le transport dans des véhicules. Il est conçu avec des ajustements ergonomiques pour améliorer les conditions de posture corporelle et/ou pour aider à prévenir/réduire les problèmes physiques associés au travail ou aux activités sédentaires.

Contre-indications

1. L'utilisation de produits d'assise pour fauteuil roulant Spex peut affecter le centre de gravité et faire basculer le fauteuil roulant, ce qui peut causer des blessures. Jugez toujours de la nécessité d'ajouter des supports d'adaptation d'axe anti-bascule ou pour amputé au fauteuil roulant pour augmenter la stabilité.
2. Vérifiez régulièrement les rougeurs de la peau et l'absence de points de pression. Si votre peau développe des rougeurs, arrêtez d'utiliser le produit et consultez votre médecin ou votre thérapeute.

Compatibilité

- Les appuis latéraux Spex ont été conçus pour être compatibles avec la plupart des fauteuils roulants.
- Les appuis latéraux Spex ont été conçus pour être utilisés avec tous les appui-dos de la gamme Spex.
- Les appuis latéraux Spex et leurs mécanismes ont été testés et certifiés pour la marque Spex et ne conviennent pas nécessairement pour être installés sur des appui-dos de fauteuils roulants d'autres marques.
- Les appuis latéraux Spex et leurs mécanismes ne peuvent être installés sur d'autres produits ni autrement qu'avec l'appui-dos Spex.

Consignes de sécurité

Pour éviter toute blessure, veuillez lire, comprendre et suivre toutes les instructions et les avertissements du présent manuel avant d'installer et d'utiliser les appuis latéraux Spex. L'utilisation de fauteuils roulants et d'équipement adapté peut présenter certains risques. Une mauvaise utilisation de votre fauteuil roulant ou de vos appuis latéraux pourrait vous causer des blessures graves. Si vos appuis latéraux cessent de vous donner le rendement prévu, veuillez consulter immédiatement votre fournisseur autorisé de sièges Spex avant de continuer à les utiliser. Tout incident grave survenu en relation avec ce produit doit être signalé à Spex Ltd.

La mousse et le tissu satisfont aux exigences d'inflammabilité du Bulletin technique 117 de la Californie. Dans de rares cas, les tissus utilisés dans ce produit peuvent provoquer une irritation cutanée pour les personnes à peau sensible. Si vous remarquez des rougeurs ou du prurit de la peau, consultez votre professionnel des soins de santé.

Dénégation de responsabilité : *Spex n'assume aucune responsabilité quant à l'efficacité thérapeutique de ses produits. Nous prétendons seulement que nos produits peuvent procurer un positionnement et une assise sûrs et fiables sur l'équipement sur lequel ils sont installés.*



AVERTISSEMENT

RISQUE D'ACCIDENT, DE BLESSURE, DE DOULEUR OU DE MORT SI LES AVERTISSEMENTS NE SONT PAS SUIVIS

Demandez de l'aide si vous avez des doutes sur l'un des points suivants.

1. Vérifiez régulièrement votre peau pour détecter des marques rouges ou des points de pression. Si votre peau est rouge ou démange, arrêtez d'utiliser le produit et consultez votre professionnel de santé.
2. Ne jamais utiliser le soutien latéral sans housse. Éloignez-vous des flammes nues ou des cigarettes allumées. Utiliser le soutien latéral sans housse augmente le risque d'inflammabilité et de lésions cutanées.
3. Ne dépassez jamais la limite de poids de votre soutien latéral ou de votre fauteuil roulant. La limite de poids du fauteuil roulant est spécifiée par le fabricant du fauteuil roulant. Ne pratiquez jamais d'exercices de musculation qui pourraient dépasser la limite de poids du fauteuil roulant.
4. Vérifiez si des dispositifs anti-basculement ou d'autres adaptations doivent être ajoutés au fauteuil roulant pour aider à augmenter la stabilité. L'installation de systèmes d'assise peut affecter le centre de gravité et pourrait provoquer le basculement du fauteuil roulant.
5. Le support latéral de tronc Spex a été conçu comme un support postural pour les utilisateurs de fauteuils roulants. Ne jamais utiliser votre soutien latéral de manière non prévue.
6. Assurez-vous que toutes les parties du corps sont dégagées des points de pivotement escamotables pendant les mouvements.
7. Vérifiez que le mécanisme de verrouillage est verrouillé après chaque mouvement. S'il cesse de se verrouiller, n'utilisez pas l'équipement.

Environnement

⚠ Attention: Évitez les objets tranchants ou l'exposition à une chaleur extrême ou à une flamme nue. Ceux-ci pourraient endommager votre soutien latéral.

Humidité: Gardez vos appuis latéraux au sec en tout temps, étant donné que le contact avec l'eau ou une humidité excessive peut altérer la fonctionnalité de vos appuis et même causer une détérioration de ceux-ci. Si vos appuis latéraux deviennent humides ou mouillés, essuyez-les à fond dès que possible à l'aide d'un chiffon sec. N'utilisez pas vos appuis latéraux sous la douche ou à la piscine..

Température: Le soutien latéraux doit être à température ambiante avant utilisation. Votre soutien latéral pourrait ne pas fonctionner comme prévu s'il est utilisé à des températures extrêmes. Ne laissez pas le soutien latéral à l'extérieur pendant la nuit ou à des températures inférieures à 5°C/41°F..

Saletés: De petites particules comme la poussière, la saleté et le sable peuvent réduire la fonctionnalité optimale. Vérifiez régulièrement vos appuis latéraux afin de prévenir toute accumulation de particules autour des ouvertures et des pièces mobiles.

Entretien et nettoyage

Vérifiez si toutes les ferrures fonctionnent correctement, sinon, vous devez les remplacer immédiatement. Spex recommande que toutes les attaches soient vérifiées quant à l'usure tous les 6 mois, ainsi que les boulons desserrés ou les composants brisés. Les attaches desserrées devraient être resserrées conformément aux directives d'installation. Communiquez immédiatement avec votre fournisseur autorisé de sièges Spex pour remplacer tout composant brisé. Ne continuez pas à utiliser un produit après avoir identifié des composants desserrés ou brisés. Pour toute question concernant les méthodes de nettoyage, communiquez avec votre détaillant autorisé de sièges Spex. La durée de vie prévue des appuis latéraux est de 5 ans.

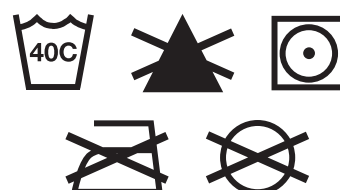
Spex recommande d'utiliser des serviettes désinfectantes au PHA (peroxyde d'hydrogène accéléré). Le produit désinfectant doit être utilisé selon les instructions du fabricant. Spex n'assume aucune responsabilité quant à l'efficacité du procédé de désinfection.

Nettoyage des ferrures

Nettoyez les ferrures à l'aide d'un chiffon, d'eau et d'un détergent doux. Rincez à l'eau propre. Asséchez à fond après le rinçage.

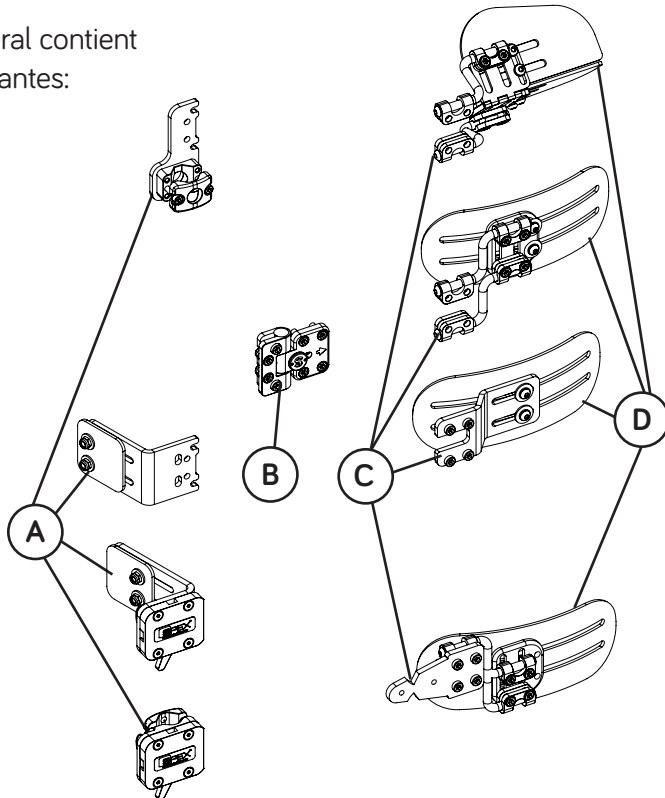
Nettoyage des housses

Lavez les housses à la machine à l'eau tiède (40°C/104°F). Laissez égoutter ou séchez par culbutage à basse température. Pas de repassage, pas de nettoyage à sec ni de javellisant. Si des produits chimiques sont utilisés, rincez les housses à fond à l'eau afin d'enlever tous les résidus chimiques et asséchez-les à fond avant de les réutiliser.



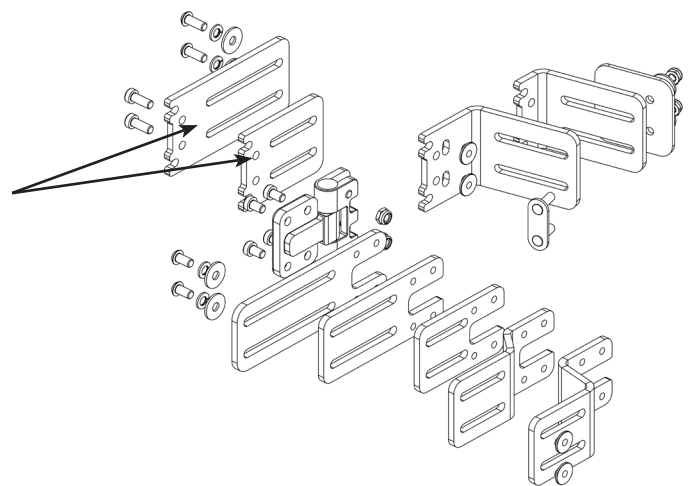
Contenu des appuis latéraux

Un appui latéral contient les pièces suivantes:



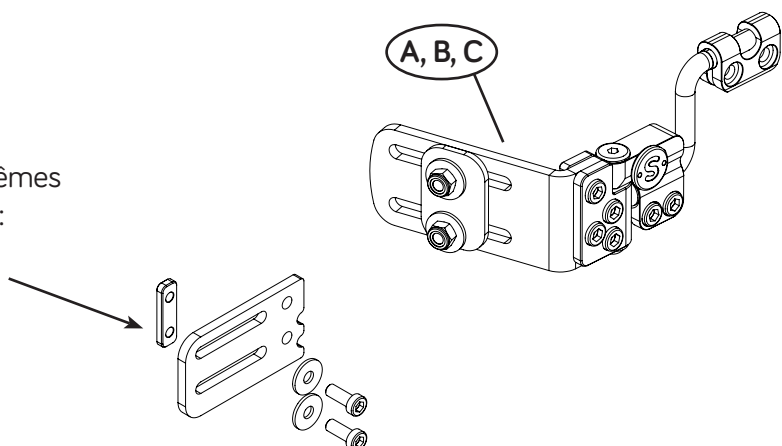
	Description	Quantité
A	Plaque de fixation	1
B	Charnière latérale	1
C	Ajustement du support Parenthèse	1
D	Coussin de soutien latéral	1

Il existe plusieurs options pour les exemples de pièces ci-dessus et qui sont montrés à droite. Votre support latéral peut comprendre une plaque d'extension, comme mentionné. Remarque : des appuis latéraux à libération rapide peuvent être fournis avec des barres axiales supplémentaires pour plus de profondeur. Voir la page 27 pour plus de renseignements.



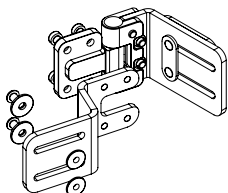
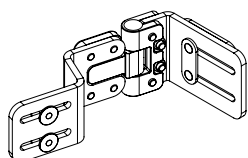
Les appuis latéraux pédiatriques ont les mêmes composants mais ont l'apparence suivante:

Votre soutien latéraux pédiatriques peut inclure un kit d'extension, comme illustré.



Montage de l'appui latéral à la de l'appui-dos

Outils requis : clés Allen de 4 mm et 5 mm, clé anglaise de 10mm



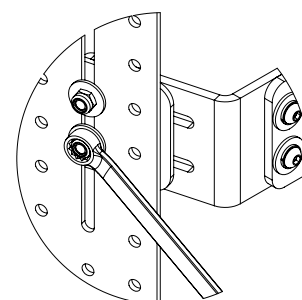
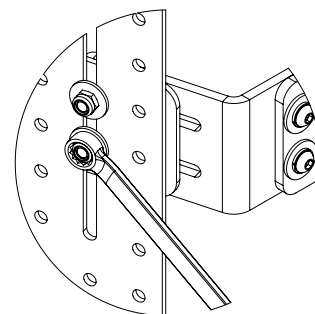
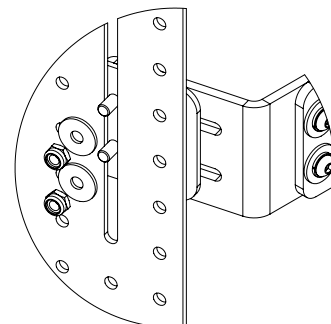
1. Placez le support de fixation de l'appui latéral avec la rondelle de caoutchouc contre la plaque comme c'est montré.



ATTENTION

La rondelle de caoutchouc doit être entre le support de fixation et la plaque et utilisée en tout temps.

2. Utilisez une clé anglaise de 10 mm pour serrer les écrous M6. Ne serrez pas trop.



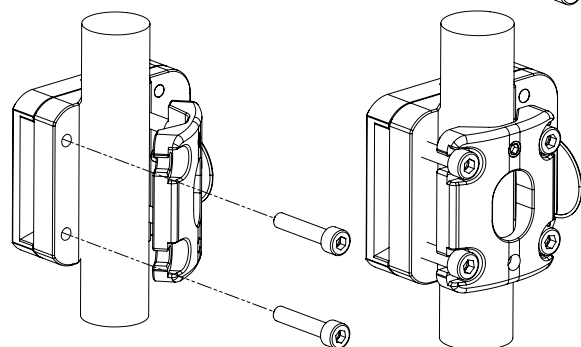
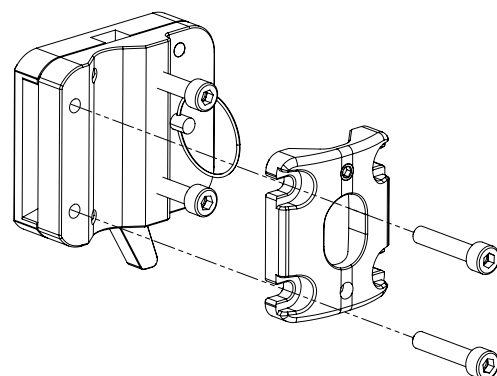
Réglage de la largeur/ de la hauteur

1. Utilisez une clé anglaise de 10 mm pour desserrer les écrous M6.
2. Glissez l'appui latéral à la position désirée.
3. Serrez les écrous M6.

Montage sur tiges

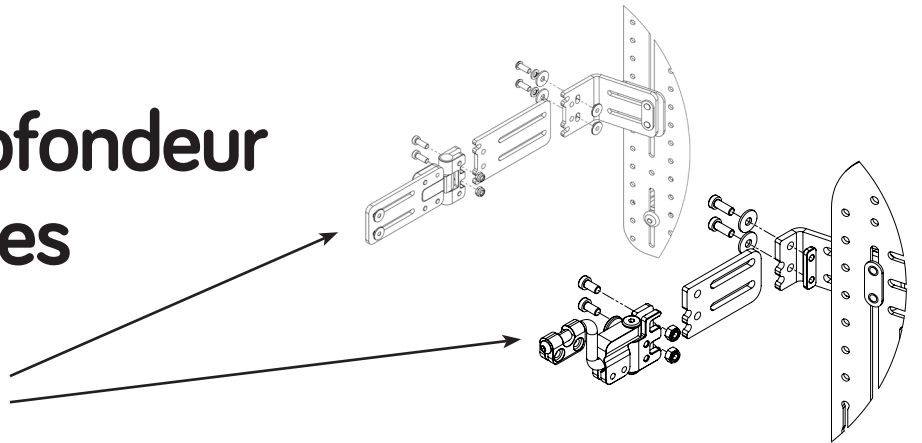
Lorsque des tiges sont utilisées au lieu de plaques de fixation, respectez les étapes suivantes::

1. Utilisez une clé à six pans de 4 mm pour retirer 2 vis alignées verticalement.
2. Posez la pince externe sur la tige en position et serrez fermement.

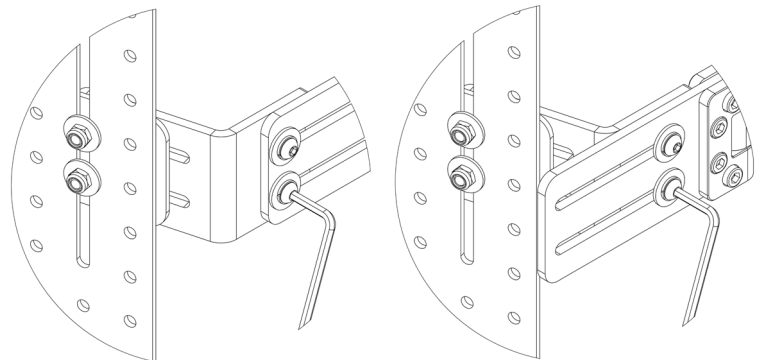


Options de profondeur supplémentaires

1. Rallonge du support de fixation:
#1266-2430-100
#1266-2440-100

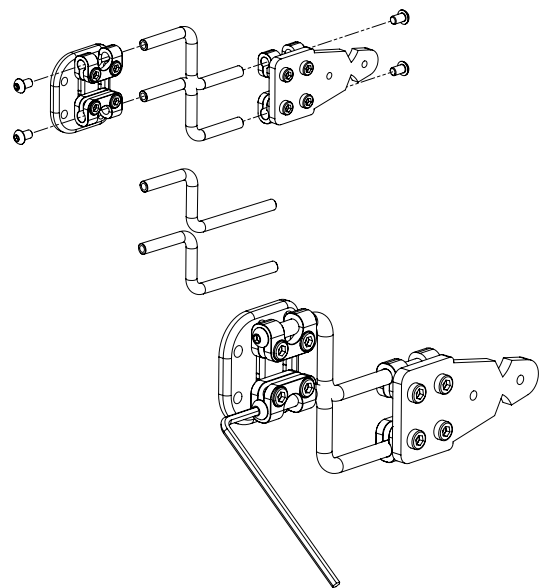


2. Utilisez le support de fixation rallongé pour ajuster la profondeur de l'appui latéral requise. Assurez-vous que les attaches sont serrées correctement



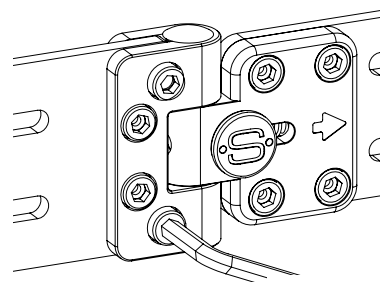
3. Lors de l'utilisation d'un appui latéral à libération rapide: Une profondeur supplémentaire peut être obtenue en utilisant les barres axiales allongées fournies en pièces de rechange.

- a) Enlevez les 4 vis à tête ronde des extrémités des barres axiales.
- b) Changez les barres dans les pinces.
- c) Revissez les 4 vis à tête ronde dans les barres axiales.



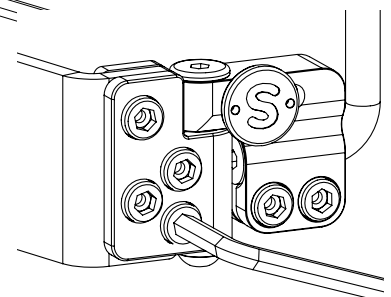
Réglage de l'angle

1. Ajustez les vis **argentées** pour changer l'angle de la plaque de l'appui latéral lors du positionnement. Resserrez une fois complété pour vous assurer que l'appui latéral ne bougera pas..



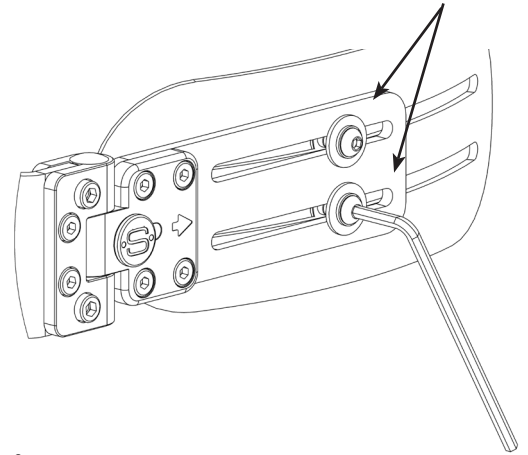
ATTENTION

Les vis **argentées** doivent être serrées avant que l'utilisateur s'assoit dans le fauteuil roulant. Vérifiez régulièrement si les vis **argentées** sont suffisamment serrées.



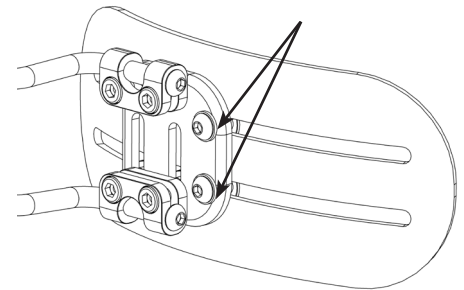
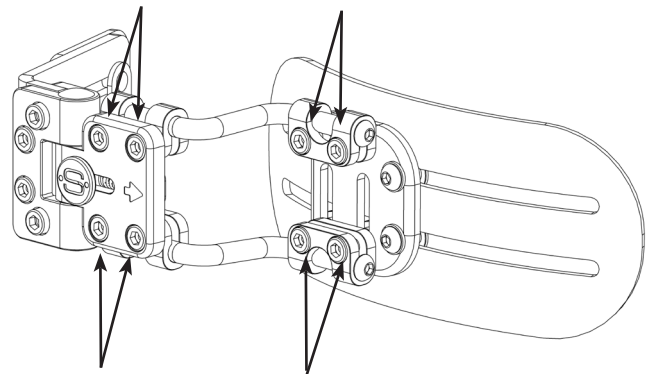
Réglage de la profondeur

1. Enlevez la housse à fermeture éclair et la mousse pour le réglage. Utilisez une clé Allen de 4 mm pour régler la position de la plaque en ajustant les deux attaches montrées.



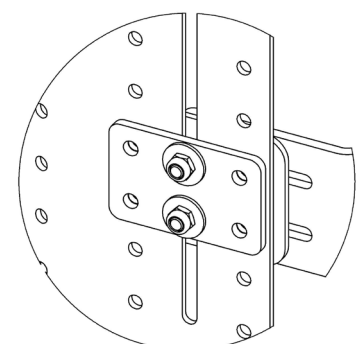
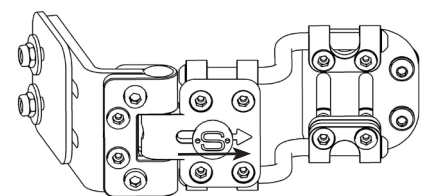
Réglages axiaux (s'il y a lieu)

1. Utilisez une clé Allen de 5 mm pour régler l'angle et la hauteur de la plaque. Desserrez les huit attaches surlignées pour positionner la plaque tel que requis.
2. Utilisez une clé Allen de 4 mm pour régler la position de la plaque en ajustant les deux attaches montrées.



Actionnement du mécanisme à charnière

1. Glissez le bouton en travers pour ouvrir l'appui latéral.
2. Pour renforcer le support de fixation de l'appui latéral lorsqu'une grande force s'exerce sur celui-ci, on doit utiliser un second support de fixation comme c'est montré.



Activation du mécanisme de libération rapide (si monté)

1. Tirez le levier vers l'avant et enlevez le dossier latéral.
2. Pour remettre le mécanisme de libération rapide en place, poussez-le dans le cadre jusqu'à ce qu'il s'emboîte et se verrouille.



ATTENTION

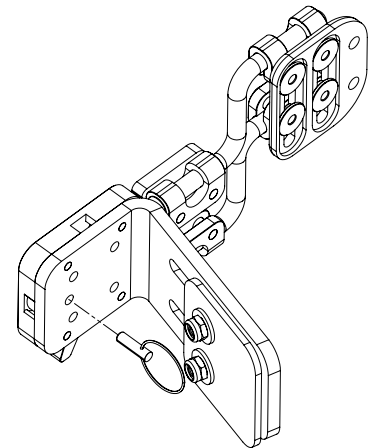
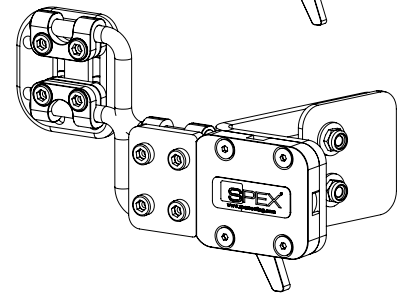
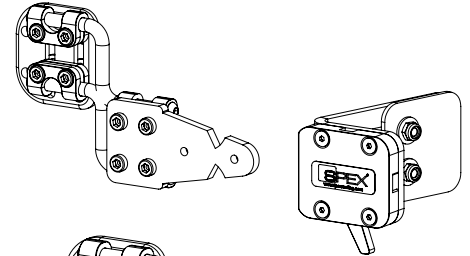
Vérifiez que l'appui latéral est verrouillé en place en essayant de le détacher sans activer le levier.

3. Pour fixer l'appui latéral et empêcher le démontage, insérez la goupille de détente dans le mécanisme en vérifiant son accouplement avec la languette.



ATTENTION

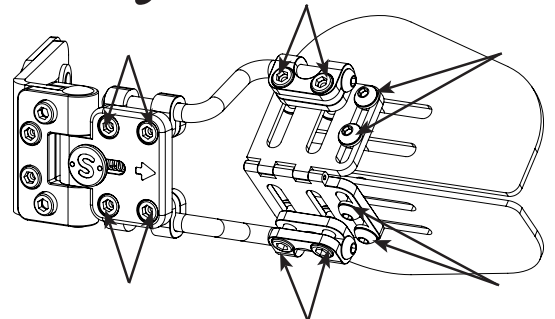
Vérifiez l'accouplement en essayant de libérer l'appui latéral. Lorsque cet appui est utilisé pour le transport, la goupille de détente doit être en place.



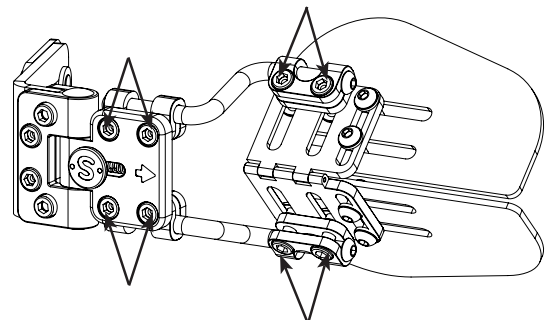
Ajustements biangulaires (s'il y a lieu)

1. Utilisez les clés hexagonales pour régler l'angle, la hauteur, l'angle de courbure du coussin et la profondeur du coussin latéral biangulaire.

Desserrez les douze attaches pointées pour positionner les plaques au besoin.



2. Serrez correctement les huit boulons pointés pour régler l'angle, la hauteur et l'angle de courbure du patin.

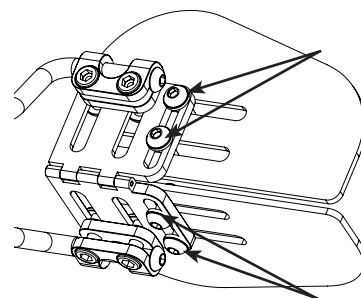


3. Serrez enfin les quatre attaches illustrées pour régler la profondeur du patin et fixer l'angle de courbure.



ATTENTION

Assurez-vous que les quatre boulons pointés sont suffisamment desserrés avant le réglage pour leur permettre de glisser librement le long des fentes. Les boulons doivent ensuite être serrés dans une position appropriée qui ne crée pas de formation de bosses ou d'étirement de la mousse.



Adaptation pour un autre utilisateur

Une fois que le premier utilisateur a fini d'utiliser les appuis latéraux Spex, celui-ci doit être remis à neuf et nettoyé à fond s'il est destiné à un autre utilisateur. On trouvera ci-dessous les lignes directrices de base pour la remise à neuf des appuis latéraux Spex.

Spex recommande d'utiliser des serviettes désinfectantes au PHA (peroxyde d'hydrogène accéléré). Le produit désinfectant doit être utilisé suivant les instructions du fabricant. Spex n'assume aucune responsabilité quant à l'efficacité du processus de désinfection.

Spex n'assume aucune responsabilité quant à la contamination, l'infection croisée ou les dommages.

Pièce	Procédure
Vérification de sécurité	Vérifiez si tous les composants sont exempts de signes de tension ou de fissure.
Housses de garniture	Les housses de garniture extérieures doivent être remplacées quel que soit leur état.
Ferrures et composants	Assurez-vous que les composants du mécanisme sont en place et en bon état de fonctionnement. S'il en manque, ils doivent être commandés. Vérifiez s'il y a des signes de tension ou de fissure. Si on découvre des tensions ou des fissures, les appuis latéraux doivent être mis hors d'usage et éliminés. Nettoyez les ferrures et les composants à l'aide d'un détergent doux et de serviettes d'un désinfectant de qualité comme le PHA (peroxyde d'hydrogène accéléré), pour s'assurer que toutes les surfaces sont exemptes de salissure.
Mousse	La mousse doit être remplacée quel que soit son état.

Élimination et recyclage

De nombreux matériaux de votre système d'assise Spex peuvent être recyclés en les apportant à un centre de recyclage. Merci de prendre soin de l'environnement! Respectez toutes les lois et réglementations locales lors de la mise au rebut de votre système d'assise Spex

Transport sécuritaire



ATTENTION

Lorsqu'un appui latéral à libération rapide est utilisé pendant le transport, la goupille de détente doit être en place.

Le système de siège Spex a subi avec succès un essai de collision et est conforme à la norme RESNA WC-4:2012, section 20 (WC20). Le système de siège Spex satisfait aux exigences de la norme ISO 16840-4 :2009 et convient comme siège d'un véhicule moteur lorsqu'il est utilisé avec une base de fauteuil roulant appropriée. Veuillez suivre toutes les instructions d'installation, d'utilisation et d'entretien contenues dans le présent manuel, ainsi que les instructions suivantes pour le transport. Quand c'est possible, l'utilisateur du fauteuil roulant devrait passer au siège du véhicule et utiliser les systèmes de contrainte de l'occupant installés dans le véhicule.

Le système de siège Spex a été conçu pour permettre l'usage approprié des ceintures de contrainte ancrées au véhicule. Spex a obtenu la cote Excellent (soit 16 sur 16) pour la facilité de positionner correctement une ceinture de contrainte, ainsi que le degré auquel la contrainte appropriée de la ceinture peut être obtenue, selon les méthodes de l'annexe D. Les composantes suivantes du système de siège Spex ont été testées et conviennent pour un usage approprié dans un véhicule moteur :

- Modèles d'appui-dos pleine hauteur
- Base de siège
- Modèles de coussins
- Soutiens des bras et des cuisses
- Supports latéraux du tronc
- Têtières

Note: Les appui-dos qui sont plus bas que la hauteur de l'épaule de l'utilisateur ne sont pas certifiés et ne sont pas recommandés pour le transport dans un véhicule. Exemples : appui-dos Vigour Lo et Vigour mid.

Assemblage, utilisation, entretien et limites

- Les réglages de l'installation d'un fauteuil roulant ne peuvent être effectués que par un thérapeute professionnel ou un technicien en positionnement assis qualifié. Les systèmes profilés sur demande ou sur mesure peuvent nécessiter une configuration et une installation par un professionnel qualifié.
- Après avoir effectué certains réglages, assurez-vous de nouveau que tous les boulons, vis et écrous soient bien serrés afin de fournir un transport sécuritaire dans un véhicule.
- Assurez-vous que les supports du dessus et du fond de l'appui-dos et que les supports avant et arrière du contenant du siège sont aussi éloignés que possible l'un de l'autre afin de fournir une fixation à 4 points plus solide au cadre du fauteuil roulant. Assurez-vous que les systèmes de verrouillage rapide sont engagés.
- N'utilisez pas le système de siège Spex comme siège de véhicule si les composants du siège qui n'ont pas subi avec succès l'essai de collision sont utilisés quelque part sur le système de siège. Le système de siège Spex a été conçu et certifié seulement à l'aide de composants Spex. Spex n'assume aucune responsabilité dans les cas où d'autres systèmes de siège fabriqués seraient utilisés conjointement avec le système de siège Spex.
- À intervalles réguliers, vérifiez si toutes les attaches du système de siège Spex ne se sont pas desserrées durant l'utilisation quotidienne et resserrez-les si nécessaire.
- Assurez-vous que les côtés rabattables sont dans leur position verrouillée avant d'utiliser le siège comme siège de véhicule dans un véhicule moteur.

Transport sécuritaire

Positionnement correct des ceintures de contrainte

Lorsqu'on utilise le système de siège Spex comme siège d'un véhicule, la ceinture de contrainte pelvienne et la ceinture de contrainte d'épaule doivent toujours être utilisées. Pour positionner correctement les ceintures de contrainte sur le fauteuil roulant de l'occupant, il faut vérifier les points suivants :

- La ceinture de contrainte pelvienne devrait être portée au bas à l'avant du bassin, près des jonctions du bassin et des cuisses.
- L'angle de la ceinture de contrainte devrait être compris entre 30° et 75° par rapport à l'horizontale et, idéalement, entre 45° et 75° par rapport à l'horizontale (comme le montre la Figure 2).
- La boucle de la ceinture de contrainte des ceintures de contrainte à trois points devrait être située en contact avec le corps de l'occupant et à l'écart des composants du fauteuil roulant.
- La jonction de la ceinture de contrainte diagonale et des ceintures de contrainte pelviennes à trois points devrait être située près de la hanche opposée à l'épaule sur laquelle la ceinture diagonale traverse et non pas près de la ligne médiane de l'occupant.
- Les ceintures de contrainte ne devraient pas être acheminées à l'extérieur des roues du fauteuil roulant ni par-dessus les appui-bras du fauteuil roulant, et ne devraient pas être tenues à l'écart du corps par des composants ou pièces du fauteuil roulant.
- Les ceintures de contrainte supérieures du torse devraient être placées directement au-dessus du milieu de l'épaule et en contact avec celle-ci.
- Les ceintures de contrainte devraient être ajustées aussi serrées que possible, tout en tenant compte du confort de l'utilisateur.
- Les ceintures de contrainte ne devraient pas être portées tordues d'une manière qui réduit la surface de contact du tissu de la ceinture avec l'occupant.



Figure 1

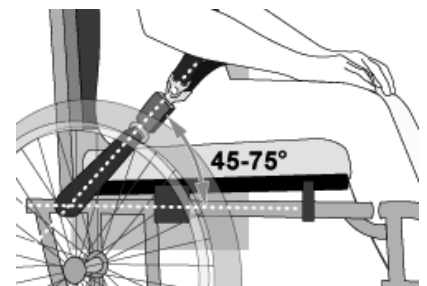


Figure 2



Figure 3a – Positionnement incorrect des ceintures de contrainte pelviennes sur les supports du fauteuil roulant.



Figure 3b – Acheminement et positionnement corrects des ceintures de contrainte sur l'occupant du fauteuil roulant.

**ATTENTION**

- 1. La distance entre le dessus de l'épaule de l'utilisateur et le haut du dos ne devrait pas dépasser 16,5 cm (6,5 po).**
- 2. Le système de siège Spex doit être utilisé seulement avec des bases de fauteuil roulant qui ont été testées comme partie d'un système de fauteuil roulant qui est conforme au rendement exigé par les normes ISO 7176-19 et RESNA WC-4 :2012, section 19.**
- 3. Le système de siège Spex devrait être utilisé seulement sur des cadres de fauteuil roulant qui fournissent quatre points de fixation et points d'ancrage de la ceinture pelvienne, conformément aux exigences de la section 19 de la norme RESNA WC-4 :2012.**
- 4. Le fauteuil roulant doit être homologué comme étant approprié pour utilisation comme siège dans un véhicule moteur, testé dynamiquement selon le rendement exigé par la norme ISO 7176-19, et installé, utilisé et entretenu selon les instructions du fabricant.**
- 5. Le système de siège Spex doit être utilisé seulement comme c'est indiqué dans le présent manuel de l'utilisateur.**
- 6. Des ceintures de contrainte pelvienne et diagonale – faisant partie d'un Système complet d'Attache du Fauteuil Roulant et de Retenue de l'Occupant (SAFRRO) satisfaisant à la norme ISO 10542-1 – doivent être utilisées toutes deux pour réaliser une contrainte efficace de l'occupant et une protection optimale en cas de choc de véhicules; les ceintures de contrainte devraient être compatibles avec le fauteuil roulant particulier et installées sur l'utilisateur selon les instructions du fabricant du SAFRRO.**
- 7. Les appui-dos ayant des angles d'inclinaison réglables ne devraient pas être inclinés vers l'arrière de plus de 30° par rapport à la verticale durant un déplacement dans un véhicule, sauf si c'est nécessaire pour des besoins médicaux et posturaux de l'occupant.**

**ATTENTION**

8. Si l'appui-dos doit être réglé à un angle supérieur à 30° par rapport la verticale durant un déplacement, le point d'ancrage supérieur de la ceinture diagonale devrait être ajusté vers l'arrière de façon à maintenir la ceinture en contact avec l'épaule et la poitrine de l'occupant.
9. Le système de siège Spex doit être utilisé seulement pour un passager assis tourné vers l'avant dans un véhicule moteur.
10. Afin de réduire les risques de blessures aux occupants d'un véhicule, les plateaux rigides montés sur le fauteuil roulant, qui ne sont pas conçus spécifiquement pour être utilisés pendant un déplacement dans un véhicule moteur, doivent être :
 - a. enlevés et fixés séparément dans le véhicule ou
 - b. fixés au fauteuil roulant de façon à ce qu'ils ne se brisent pas en pièces en cas de collision et
 - positionnés avec un écart d'au moins 75 mm entre le bord arrière du plateau et l'abdomen ou la poitrine de l'occupant du fauteuil roulant, de façon à ne pas interférer avec l'usage de la ceinture de contrainte appropriée, et
 - munis d'un coussin à absorption d'énergie placé entre le bord arrière du plateau et l'occupant du fauteuil roulant.
11. Aucune altération ou substitution de la structure du système de siège ne peut être faite sans une consultation préalable avec Spex.
12. L'utilisation durant un déplacement d'une ceinture pelvienne posturale fixée à la base du fauteuil roulant ou au cadre du siège est souhaitable, à la condition que de telles ceintures soient positionnées de façon à ne pas nuire au positionnement approprié des ceintures de contrainte anti-crash, et qu'on ne s'y fie pas comme protection de l'occupant en cas de collision, à moins que la ceinture posturale n'ait été conçue pour être tout à fait conforme aux exigences de WC19.

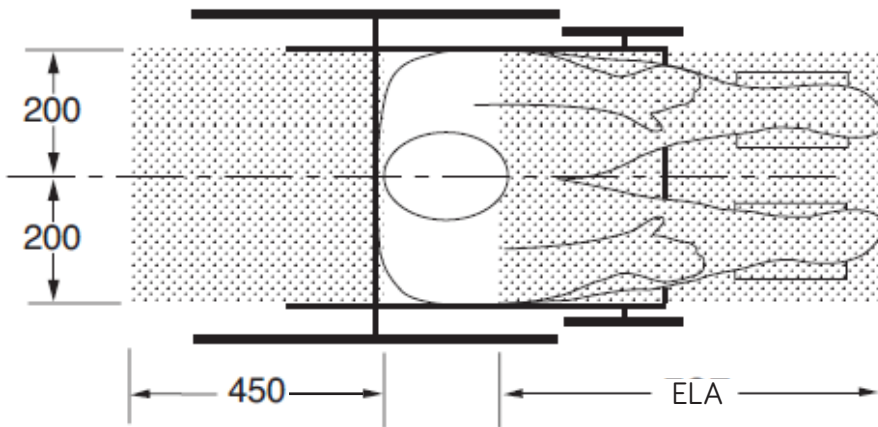
**ATTENTION**

13. Les dispositifs de soutien posturaux qui ne sont pas homologués comme étant conformes à la norme ISO 16840-4 peuvent être utilisés pour un déplacement en véhicule, mais on ne doit pas s'y fier pour la retenue de l'occupant.
14. Les ceintures de contrainte pelvienne et diagonale qui sont conformes à WC18 et/ou WC19 devraient être utilisées pour limiter le mouvement de l'occupant au cours d'une collision et réduire la possibilité d'éjection de l'occupant hors du véhicule et/ou de contact préjudiciable de l'occupant avec l'intérieur du véhicule.
15. Les ceintures de contrainte devraient être positionnées sur l'occupant du fauteuil roulant en conformité avec les instructions du fabricant du SAFRRO (Système d'Attache du Fauteuil Roulant et de Retenue de l'Occupant).
16. Les ferrures de montage de l'appui-dos doivent être installés correctement. Reportez-vous à la section appropriée pour voir les instructions de montage correctes des ferrures du dossier
17. Lorsque le fauteuil roulant est occupé pendant qu'il est transporté, il doit toujours être fixé au SAFRRO.
18. Les enfants dont le poids est inférieur à 22 kg (48,5 lb) devraient être transférés de leur système de siège à un système de retenue d'enfant approprié conçu pour utilisation dans les véhicules moteur.
19. Un espace libre suffisant à l'avant et à l'arrière doit être prévu autour de l'occupant du fauteuil roulant. L'espace libre avant (ELA) doit être plus grand lorsqu'une ceinture de contrainte diagonale n'est pas utilisée.

L'OMISSION DE TENIR COMPTE DE CES AVERTISSEMENTS POURRAIT ENTRAÎNER DES BLESSURES GRAVES À L'UTILISATEUR DU FAUTEUIL ROULANT OU À D'AUTRES.

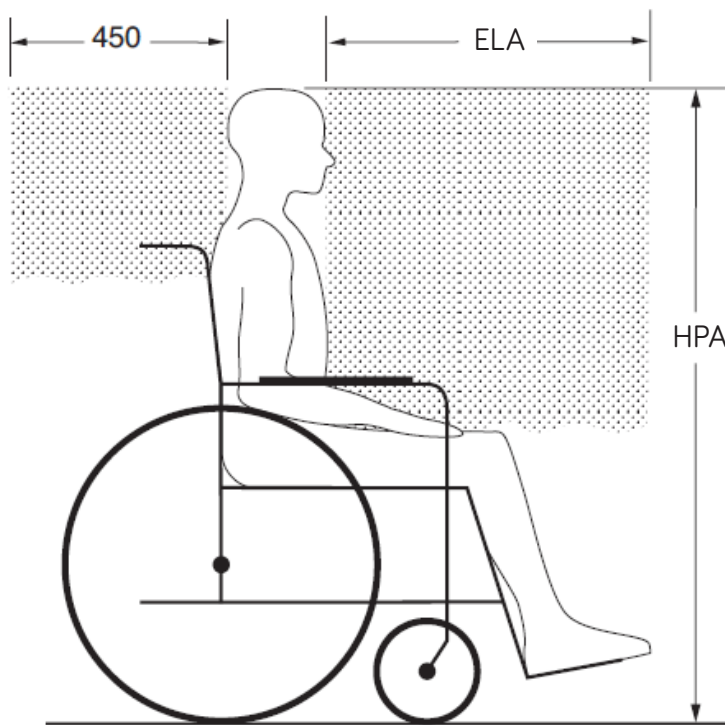
 **ATTENTION**

VUE DE DESSUS



NOTES : L'espace libre arrière se mesure à partir du point le plus arrière de la tête de l'occupant. L'espace libre avant (ELA) se mesure à partir du point le plus avant de la tête de l'occupant.

La hauteur en position assise (HPA) va d'environ 120 cm (47 po) pour une femme adulte de petite taille à environ 155 cm (61 po) pour un homme adulte de grande taille



VUE DE CÔTÉ

ELA = 65 cm (25,5 po) avec ceinture de torse supérieure
 = 95 cm (37 po) avec ceinture pelvienne seulement

NOTE: Il est fortement recommandé que les ceinture pelvienne et de torse soient utilisées. supérieure soient utilisées toutes les deux.

Espaces libres avant et arrière recommandés pour un occupant assis dans un fauteuil roulant. (Note : L'espace libre avant (ELA) peut ne pas être possible pour un conducteur assis dans un un un un un pour un conducteur assis dans le fauteuil roulant).

Garantie

Chaque ensemble d'appuis latéraux Spex a été inspecté soigneusement afin de fournir le rendement optimal et est garanti être exempt de tout défaut de matériau ou de fabrication pour une période de 12 mois à compter de la date d'achat, sous réserve d'un usage normal. Advenant qu'un défaut de matériau ou de fabrication survienne en deçà de 12 mois de la date originale d'achat, Spex s'engage à réparer ou à remplacer, à sa discrétion, l'article sans frais. Cette garantie s'applique aux composants des appuis latéraux incluant la mousse, les housses et les ferrures. Cette garantie ne s'applique pas à une usure ou un usage général, incluant perforations, déchirures ou brûlures, ni à aucun des composants des appuis latéraux.

Les réclamations et les réparations devraient être traitées par l'intermédiaire de votre détaillant le plus rapproché. À l'exception des garanties expresses énoncées aux présentes, toute autre garantie, incluant les garanties implicites de qualité marchande et les garanties de convenance à un usage particulier, est exclue. Il n'y a aucune autre garantie qui dépasse la description faite aux présentes. Les recours pour bris de garanties expresses se limitent à la réparation ou au remplacement des marchandises. En aucun cas les dommages subis par le bris de quelque garantie n'incluront les dommages indirects et ne dépasseront le coût des marchandises non conformes vendues. Vous pouvez voir le numéro de série de vos appuis latéraux à la base de la housse de ceux-ci.

Données Techniques

Limite de poids:

Support Latéral Adulte: 136 kg (300 lb).

Support Latéral Pédiatrique: 50 kg (110 lb).

Poids du support: Entre 0.15 - 0.45 kg (0.3 - 1 lb)

Poids du coussin: Entre 0.05 - 0.3 kg (0.1 - 0.7 lb)

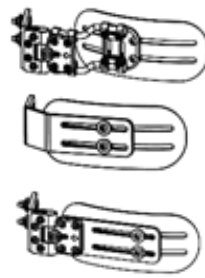
Matériaux:

Quincaillerie: Aluminium

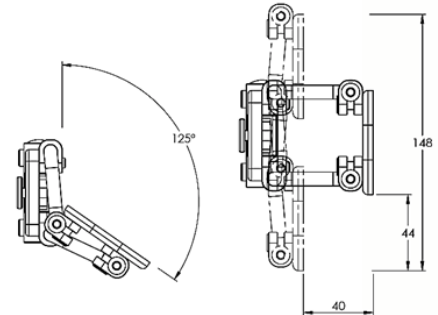
Housse: Mousse PU, Mousse EVA, Nylon, Polyester

Quincaillerie latérale Fixe et Axial

	Réglage de la profondeur
Axial	55mm
Pédiatrique	60mm
Fixe	55mm
Pédiatrique Fixe	40mm

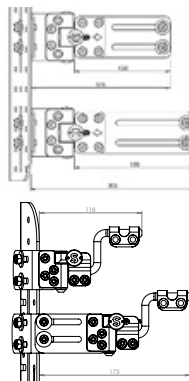


Technologie Axial

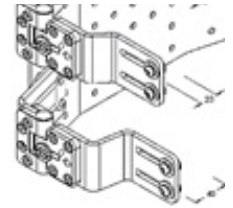


Quincaillerie pivotante

Standard	Longueur totale	Longueur de la plaque
Basculant, droit	175mm	120mm
Basculant, droit étendu	205mm	150mm
Pédiatrique basculant, droit	118mm	n/a
Pédiatrique basculant, droit étendu	173mm	n/a



Décalage	Décalage
Escamotable, décalé	20mm
Escamotable, déport étendu	40mm



Coussinets de soutien latéraux

Étroit Droit

Taille	Hauteur	Profondeur
0	85mm	115mm
1	95mm	145mm
2	95mm	180mm
3	115mm	210mm
4	115mm	240mm

Courbe étroite

Taille	Hauteur	Profondeur
1	95mm	145mm
2	95mm	180mm
3	115mm	210mm
4	115mm	240mm

Vaste

Taille	Hauteur	Profondeur
1	105mm	130mm
2	125mm	140mm
3	140mm	150mm
4	160mm	155mm
5	195mm	165mm
6	230mm	175mm



32 Detroit Drive
Rolleston 7614
New Zealand



Spex Ltd
Phone +64 3 307 9790
Fax +64 3 307 2820
solutions@spexseating.com
spexseating.com

Distribué au Canada par:
Sunrise Medical Canada Inc.
1000 Creditstone Road, Unit #2,
Concord, ON L4K 4P8
Canada

1-800-263-3390
sunrisemedical.ca

