

WonderSeat

Paediatric Wheelchair Seating, simplified.



Introducing

Wonderseat

Wonderseat is more than just a paediatric seating system. It's a window to a world of fresh and exciting opportunities; a symbol of fun, a promise of adventure and a vehicle for personal expression and empowerment.

Putting the fun into function

The Wonderseat family consists of a range of paediatric wheelchair seating systems created specifically to provide children with the ultimate support.

Our holistic approach to design, which considers every component as a part of the whole, has enabled us to make significant improvements in compatibility. It's also allowed us to overcome common challenges related to small seating, simplifying everything from installation and adjustment to daily use.

Our desire to inspire and empower young users is reflected in the whimsical characters, bright colours and sense of fun evident at every turn. From packaging to product finishings, Wonderseat is as uplifting as it is supportive!







Welcome to a World of Wonder!

Welcome to Mount Wonder; a majestic, magical place where the fabulous and friendly Wonderprint families roam.

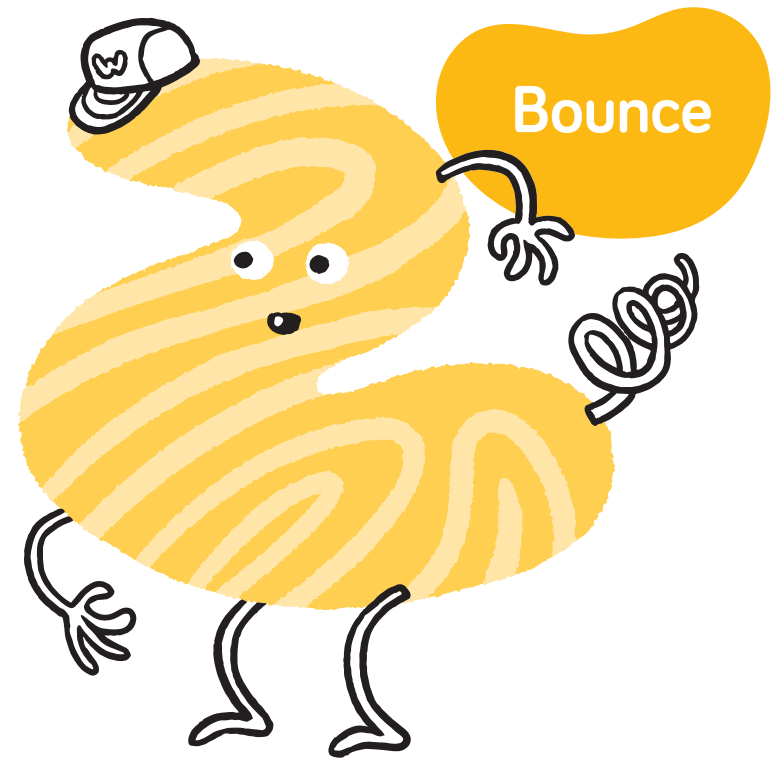
Here, dreams billow, adventure beckons and everyone is welcome.

Meet the Wonderseat Wonderprints

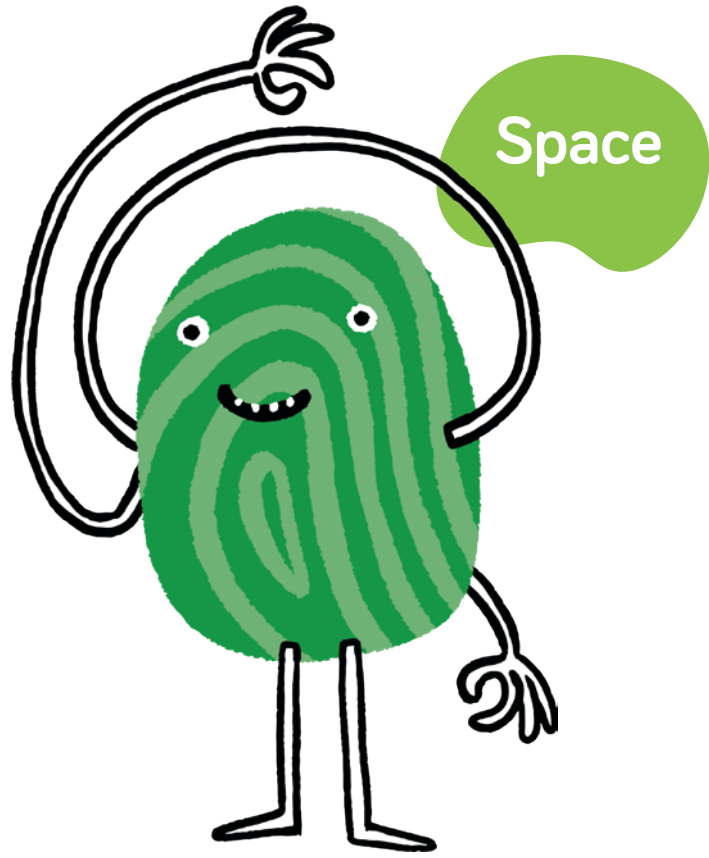
The Wonderseat characters are courageous, strong and daring. You'll find them roaming around the base of Mount Wonder, foraging for magic berries, playing in crystal clear streams, scheming for adventures and building huts.

They love nothing more than encouraging people to be brave and finding their inner strengths.

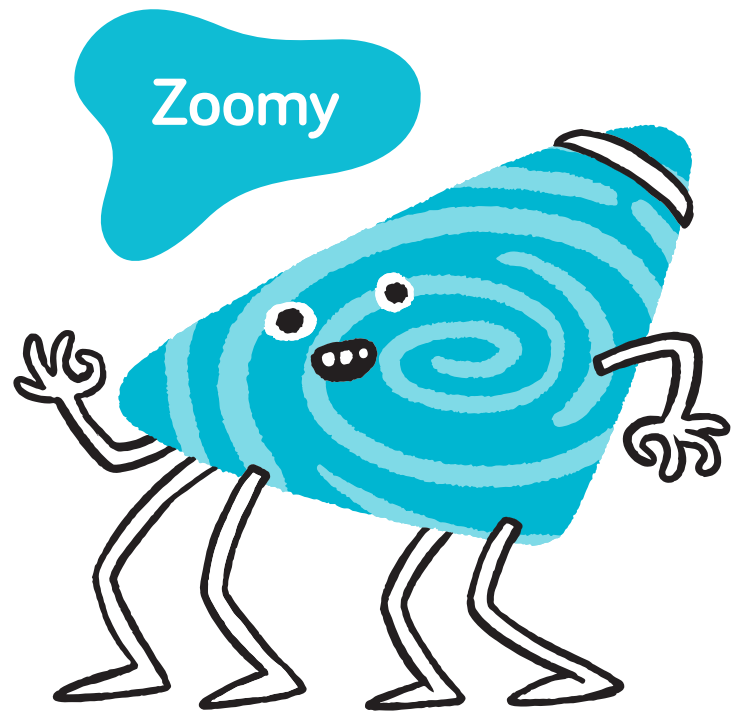
The Wonderseat Wonderprints have bold colours and shapes to reflect their big, positive personalities.



Bounce is the Wonderprint pal that comes with the Wonderseat Bounce seating system. This loyal buddy is here to cheer you on, lift you up and keep you entertained.



Space is the Wonderprint pal that comes with the Wonderseat Space seating system. This lovable friend is curious, courageous and tons of fun.



Zoomy is the Wonderprint pal that comes with the Wonderseat Zoomy seating system. This vibrant character always puts a positive spin on things.

Wonderseat Bounce



Wonderseat Bounce has been designed for children who require a moderate-to-low level of postural support when sitting.

It's ideal for users who will be transferring in and out of their wheelchairs with support from parents and caregivers but may require some postural support when sitting for long periods.

The seat features fewer moving parts and swing-away options to ensure durability.



Available in two sizes:

Size 0

6 months to 5 years old

Size 1

4 to 10 years old

WonderSeat
by spex

Features & Benefits

Hip Belt

This two-point belt supports the pelvis, is simple to adjust and can be quickly removed for washing.

Anterior Trunk Support Harness

This specially-designed harness features ergonomic pads for improved comfort and fit, and clips for easy transfers.

Lateral Trunk Supports

Can quickly and efficiently be adjusted for angle, height and width.

Lateral Thigh Supports

Thigh supports can be adjusted in width and angle, maximising control of thigh and hip joint position.

Note: Size 1 seating systems allow the lateral thigh supports to be removed with quick-release mechanisms, making transfers much easier.



Arm Supports

Can be adjusted on-the-go without the use of tools, with quick-release mechanisms making transfers much easier.

Head Support

Wide and comfortable support pad mounted via a fixed but adjustable attachment.

Back Support

A simple yet incredibly comfortable support which can easily grow taller over time.

Accessories

You'll find all your Wonderseat accessories in the 'Bit-Box' - a specific storage box to keep all of those little additional bits and bobs safe that we normally always lose somewhere.

Cushion

Especially designed for the Wonderseat range, the Constructa cushion features modular inner components allowing for ongoing adjustment and growth.



Despite the Wonderseat Bounce being designed with manual wheelchairs such as folding and rigid frame chairs in mind, it can be installed on a range of different frames, including tilt-in-space wheelchairs.

For a full break down of the Wonderseat Bounce features and components, including the wheelchair criteria for installation, please see page 17.

Wonderseat Space



Wonderseat Space was created for children who require a moderate-to-high level of postural support when sitting.

It helps manage the influence of gravity on the posture of children who typically use a tilt-in-space wheelchair.

The postural support supplied is able to match the needs of clients with limited or no sitting control and the supports are able to be moved away to assist with transfers.



Available in two sizes:

Size 0

6 months to 5 years old

Size 1

4 to 10 years old

WonderSeat
by spex

Features & Benefits

Lateral Trunk Supports

Can quickly and efficiently be adjusted for angle, height and width, with swing-away mechanisms for safe and easy transfers.

Lateral Thigh Supports

Thigh supports can be adjusted in width and angle, maximising control of thigh and hip joint position.

Note: Size 1 seating systems allow the lateral thigh supports to be removed with quick-release mechanisms making transfers much easier.

Anterior Trunk Support Harness

This specially-designed harness features ergonomic pads for improved comfort and fit, and clips for easy transfers.

Hip Belt

This four-point belt stabilizes and controls the pelvis and can be quickly removed for washing.

Medial Thigh Support

Extra support for leg and hip positions, helping to protect joints and maximise stability. Each leg is adjustable in width and angle and has a quick-release mechanism for easy transfers.



Arm Supports

Can be adjusted on-the-go without the use of tools, with quick-release mechanisms making transfers much easier. Pad shape includes an elbow support.

Head Support

Curved and supportive pad mounted via a compact quick-release attachment.

Back Support

A comfortable support with Spex cube adjustment that can grow and adapt to changing needs.

Cushion

Especially designed for the Wonderseat range, the Constructa cushion features modular inner components allowing for ongoing adjustment and growth.

Tray Table

Supports upper limbs while providing a space for work and play, with smart connections making it easy to adjust and remove. The surface is even suitable for suction toys.



Accessories

You'll find all your Wonderseat accessories in the 'Bit-Box'



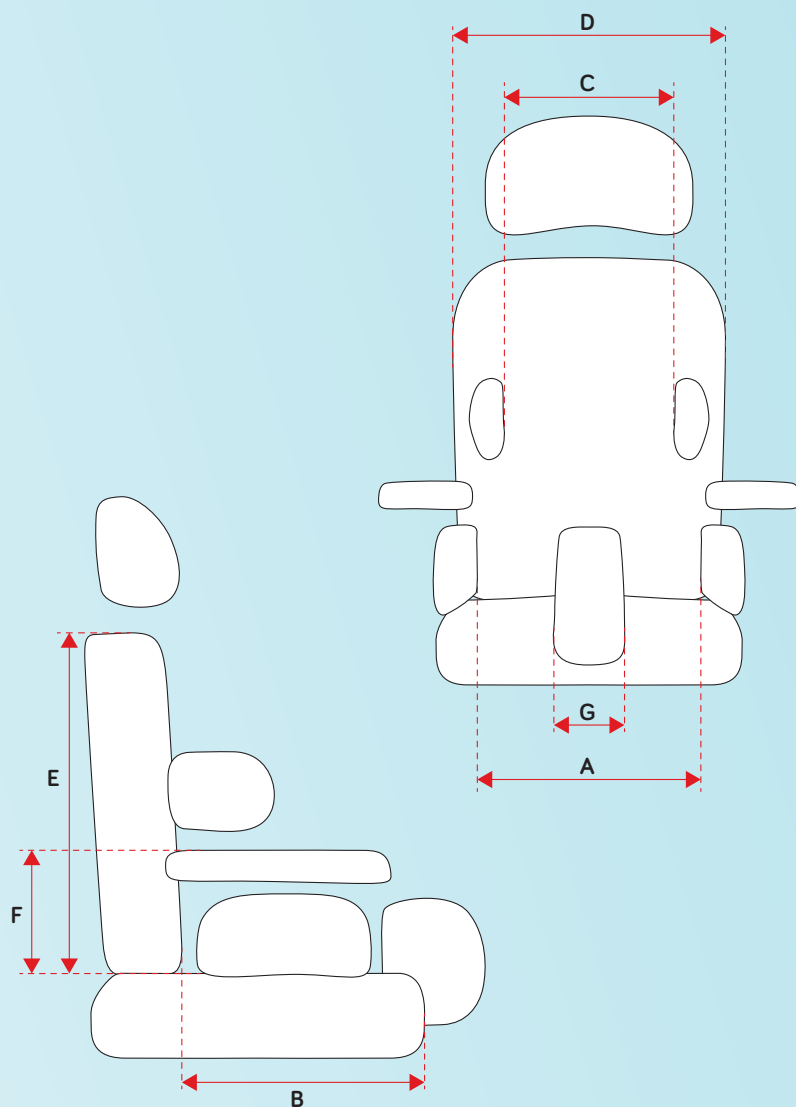
Despite the Wonderseat Space being designed with tilt-in-space wheelchairs in mind, the system can be fitted to a large variety of manual wheelchairs including folding and rigid frames.

For a full break down of the Wonderseat Space features and components, including the wheelchair criteria for installation, please see page 17.



WonderSeat
by spex

Specifications



	Size 0	Size 1
Approximate user age	1-5yrs	4-11yrs
Max Load	47kg	47kg

	Bounce	Space	Bounce	Space
Product Weight	7.6kg	7.9kg	9.1kg	9.5kg
Tray Table Weight		1.7kg		1.7kg

Measurement	Size 0		Size 1	
	Min	Max	Min	Max
A Lateral Thigh Support Width	15cm	25cm	18cm	30cm
B Seat Depth	15cm	28cm	23cm	38cm
C Lateral Trunk Support Width	10cm	24cm	15cm	29cm
D Back Support Width	20cm		25cm	
E Back Support Height	25cm	38cm	30cm	43cm
F Arm Support Height	12cm	19cm	11cm	19cm

Wonderseat Space				
G Medial Thigh Support Width	4cm	13cm	4cm	13cm

Chair Compatibility	Size 0	Size 1
Tube Diameter	19mm - 30mm	19mm - 30mm
Frame Width	10" - 12"	12" - 14"
Frame Depth	11" - 14"	14" - 17"
Back Post Height	10" - 16"	11" - 18"
Seat Base Mounting Point Separation	3" - 7"	6" - 11"



Components



Growth-Adjust

Growth-Adjust Spex Classic

Back Support

These comfortable back supports can easily grow taller over time. Choose the Spex Classic model for a unique cube adjustment that can grow and adapt to changing needs.

Wonderseat
Constructa Cushion

Cushion

The Constructa cushion features modular inner components allowing for ongoing adjustment and growth. The ischial well can be moved, meaning the ischial tuberosities are always supported exactly where you need them to be.

Single
MountDrop Mount -
Paediatric

Back Support Hardware

Quick-release back support hardware makes it easy to remove the seating system from folding wheelchair frames. The two-point attachment saves space and offers plenty of angle and depth adjustment.



Comfort 250

Head Support Pad

Support head stability and function with contoured posterior head support pads. The shallow curve of the Comfort pad is ideal for good head control. Extra depth on the Standard Lateral pad maintains support while the head rotates.

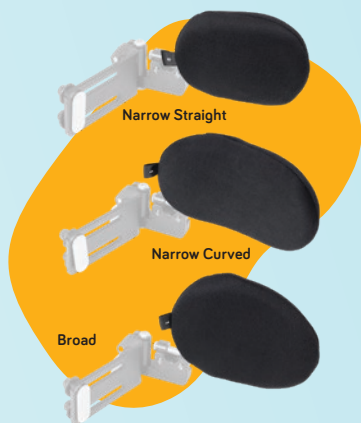
Paediatric Standard
LateralWonderseat
Quick-
Release*Wonderseat
Lite*

Head Support Hardware

Simple head support hardware saves space and weight by connecting to the top of the back support. The quick-release attachment allows the head support to be removed for transfers or activities.



WonderSeat
by apex



Lateral Trunk Support Pads

A range of lateral trunk support pads come in different sizes for different needs. Choose the Narrow Straight pad to move forwards and back for functional activities and transfers. The Broad pad offers taller support and a gentle curve. The Narrow Curved pad wraps around the chest for more anterior support.



Lateral Thigh Support Pads

These supportive pads have a gently curved top edge for transfers. The Snug Thigh Support pad extends past the front of the cushion for knee control and comfort, while the regular version allows more depth adjustment for growth.

Arm Support Pads

A wide and soft pad for comfort and protection. The Arm & Elbow Support curve helps maintain arm and shoulder position when tilt is used.

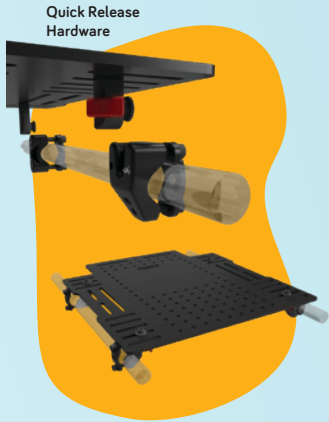


Arm & Thigh Support Hardware

Simple adjustment of the width, depth, and angle of support pads. Height of arm supports can be adjusted on-the-go without the use of tools. The hip belt attaches directly to this hardware for precise placement and easy growth. Choose the Side-Release hardware for quick-release arm supports that detach without interfering with other components. Use the Complete-Release hardware with vertical removal of the arm & thigh supports for side transfers.

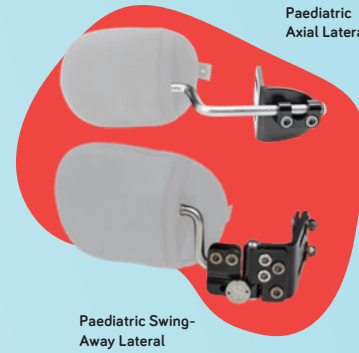






Seat Base

The seat base provides a solid foundation for the cushion and other supports. With quick-release hardware, it is easy to remove the seating system from folding wheelchair frames.



Lateral Trunk Support Hardware

Axial technology makes it quick to rotate and adjust the lateral trunk support pad. The Swing-Away hardware adds angle adjustment for anterior support, with a swing-away release for transfers.

Wonderseat Adjustable Medial Thigh Support, Pad height 70mm*



Medial Thigh Support

Extra support for leg and hip positions, helping to protect joints and maximise stability. Each leg is adjustable in width and angle and has a quick-release mechanism for easy transfers.



Wonderseat Tray Table Padding*

Tray Table

Supports upper limbs while providing a space for work and play, with smart connections making it easy to adjust and remove. The surface is even suitable for suction toys. Add the padding accessory for extra protection.

Wonderseat Tray Table, 52cm x 42cm*

Spex 2 Point Padded Hip Belt, Pad width 30cm



Anterior Pelvic Support

These hip belts support the pelvis and can be quickly removed for washing. The two-point belt is simple to adjust, while the four-point belt offers more stability and pressure distribution.

Wonderseat 4-Point Padded Hip Belt, Pad width 24cm*

Anterior Trunk Support

This specially-designed harness features ergonomic pads for improved comfort and fit. It releases from the centre and from clips under each arm for easy transfers.



Wonderseat Padded Centrepoint Shoulder Harness*

Bit-Box

A place to keep all your Wonderseat accessories, the 'Bit-Box' is storage for all of those additional bits and bobs that we sometimes lose. You'll find your Wonderprint pal inside.



*These products are designed to work as part of a complete Wonderseat Seating System, and are not compatible with other components of the Spex Seating range

Manufactured by Spex Ltd
solutions@spexseating.com
spexseating.com

DISTRIBUTED BY:

